

A **VOX** PRODUCT

AC50 / AC100 Classic Plus

AC50CPH
AC100CPH
AC50CP2

Owner's Manual
Manuel d'utilisation
Bedienungsanleitung
Manual de Usuario



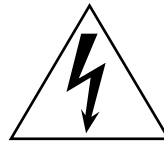
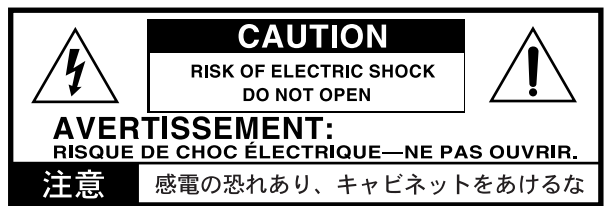
IMPORTANT SAFETY INSTRUCTIONS

- Read these instructions.
- Keep these instructions.
- Heed all warnings.
- Follow all instructions.
- Do not use this apparatus near water.
- Mains powered apparatus shall not be exposed to dripping or splashing and that no objects filled with liquids, such as vases, shall be placed on the apparatus.
- Clean only with dry cloth.
- Do not block any ventilation openings. Install in accordance with the manufacturer's instructions.
- Do not install near any heat sources such as radiators, heat registers, stoves, or other apparatus (including amplifiers) that produce heat.
- Do not defeat the safety purpose of the polarized or grounding-type plug. A polarized plug has two blades with one wider than the other. A grounding type plug has two blades and a third grounding prong. The wide blade or the third prong are provided for your safety. If the provided plug does not fit into your outlet, consult an electrician for replacement of the obsolete outlet. (for U.S.A. and Canada)
- Protect the power cord from being walked on or pinched particularly at plugs, convenience receptacles, and the point where they exit from the apparatus.
- Only use attachments/accessories specified by the manufacturer.
- Unplug this apparatus during lightning storms or when unused for long periods of time.
- Turning off the power switch does not completely isolate this product from the power line so remove the plug from the socket if not using it for extended periods of time.
- Install this product near the wall socket and keep the power plug easily accessible.
- **WARNING**—This apparatus shall be connected to a mains socket outlet with a protective earthing connection.
- Refer all servicing to qualified service personnel. Servicing is required when the apparatus has been damaged in any way, such as power-supply cord or plug is damaged, liquid has been spilled or objects have fallen into the apparatus, the apparatus has been exposed to rain or moisture, does not operate normally, or has been dropped.
- Do not install this equipment on the far position from wall outlet and/or convenience receptacle.
- Do not install this equipment in a confined space such as a box for the conveyance or similar unit.
- Use only with the cart, stand, tripod, bracket, or table specified by the manufacturer, or sold with the apparatus. When a cart is used, use caution when moving the cart/apparatus combination to avoid injury from tip-over.



WARNING:

TO REDUCE THE RISK OF FIRE OR ELECTRIC SHOCK DO NOT EXPOSE THIS PRODUCT TO RAIN OR MOISTURE.



The lightning flash with arrowhead symbol within an equilateral triangle, is intended to alert the user to the presence of uninsulated "dangerous voltage" within the product's enclosure that may be of sufficient magnitude to constitute a risk of electric shock to persons.



The exclamation point within an equilateral triangle is intended to alert the user to the presence of important operating and maintenance (servicing) instructions in the literature accompanying the product.

CE mark for European Harmonized Standards

CE mark which is attached to our company's products of AC mains operated apparatus until December 31, 1996 means it conforms to EMC Directive (89/336/EEC) and CE mark Directive (93/68/EEC). And, CE mark which is attached after January 1, 1997 means it conforms to EMC Directive (89/336/EEC), CE mark Directive (93/68/EEC) and Low Voltage Directive (73/23/EEC). Also, CE mark which is attached to our company's products of Battery operated apparatus means it conforms to EMC Directive (89/336/EEC) and CE mark Directive (93/68/EEC).

* Company names, product names, and names of formats etc. are the trademarks or registered trademarks of their respective owners.

- A ALWAYS use the supplied mains lead, if a replacement is required please contact your authorized Vox Dealer.
- B DO NOT switch the amplifier on without a loudspeaker connected.
- C ENSURE that any extension cabinets used are of the correct impedance.
- D NEVER attempt to bypass the fuses or fit ones of the incorrect values.
- E DO NOT attempt to remove the amplifier chassis, there are no user serviceable parts.
- F Refer all servicing to qualified service personnel including replacement of fuses and valves. Servicing is required when the apparatus has been damaged in any way, such as when the power supply cord or plug is damaged, liquid has been spilled or objects have fallen into the apparatus, the apparatus has been exposed to rain or moisture, does not operate normally or has been dropped.

CAUTION: Any changes or modifications not expressly approved by the party responsible for compliance may void the users authority to operate the equipment.

Note: It is recommended that all audio cables, with the exception of the speaker lead, used to connect to the AC50/AC100 Classic Plus are of a high quality, screened type. These should not exceed 10 metres in length. Always use a non-screened Vox approved speaker lead with the AC50/AC100 Amplifier and extension cabinets.

WARNING: Do not obstruct ventilation grilles and always ensure free movement of air around the amplifier!

AC50/AC100 Classic Plus Owner's manual

INTRODUCTION

Thank you for buying the **VOX Classic Plus** amplifier. As you probably already know (otherwise you probably wouldn't have bought it!) these amplifiers are available both 50 Watt head, 100 Watt head and 50 Watt combo variants. This manual covers the operation and other details of all these three models. Although the Classic Plus range is totally brand new and up to date in design and features, you can be assured that there is 50 years of classic VOX sonic history packed into every amplifier.

The Classic Plus is a channel switching valve pre- and power-amp guitar amplifier that can produce many flavours of tone from pristine clean to impressive high-gains, and all points between. The two channels have a variety of wide-ranging controls to help you create the sound textures that you require, and as the controls of the two channels are totally independent, you do not need to compromise to achieve your desired tonal palette.

In addition to the aforementioned controls, the amplifier features Spring Reverb with individual level control for each channel with remote foot-switching, plus series FX looping with selectable level control and by-pass switching. The extensive DI output facility has both balanced XLR and unbalanced jack outputs with rotary level control and ground lift switching. To enable great sounding connection into PA or recording equipment, the DI also features a speaker emulating Low Pass Filter (LPF) network. This can be switched into or out of circuit as required. Another great plus of the DI circuit is that it is post the power amplifier's phase inverter valve, and before the Output Master Volume control. What this means is that no matter how loud or quiet your stage level is, you have totally independent control of the DI output level. You can even turn the Master Volume totally off and use the DI output for "silent" recording for those midnight sessions.

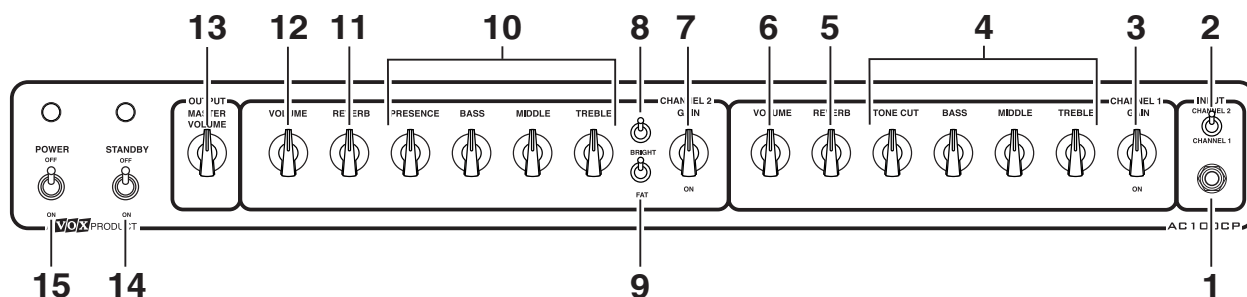
Even if you are an experienced amp tinkerer we really do suggest that you read this manual before turning the amp on. There may be something in these pages that you didn't know. Even if there isn't, hopefully we will have entertained you as you learn about your new CLASSIC PLUS.

After reading this manual, please plug in, turn on, and ROCK till you drop.

Thank you.

From All at VOX

FRONT PANEL CONTROLS AND FUNCTIONS



WARNING! Panels shown are for Head variants – CP2 combo panels read in reverse.

INPUT SECTION

1. INPUT JACK SOCKET

As the name suggests, this jack socket is used to connect your guitar into the amplifier. It is important to remember that the use of high quality cables is of paramount importance to obtain the best and most consistent performance. Although good cables can be relatively expensive, it is without doubt a very worthwhile investment. We recommend Vox cables. Please contact your dealer if you need assistance selecting a high-quality cable.

2. CHANNEL SELECT SWITCH

The front panel toggle switch marked CHANNEL 1/CHANNEL 2 is used to select which channel is going to be selected for use: -

CHANNEL 1 is primarily the CLEAN/CRUNCH sounding channel & CHANNEL 2 is for much heavier and overdriven sounds.

The rear mounted FOOTSWITCH jack socket is also available to connect the foot operated switching box (VOX VF002) to allow remote channel switching operation.

REMEMBER! To use the Footswitch function the Front Panel, the toggle Switch MUST be set to the CHANNEL 2 position.

The associated Channel LED (Green for Ch1, Red for Ch2) will illuminate when each channel is selected.

CHANNEL 1 SECTION

3. GAIN CONTROL

This control regulates the amount of signal amplification that is generated in the Channel 1 preamplifier circuit, and as such sets the basic tonal qualities of the channel. The circuit design of Channel 1 is based on the Top Boost channel of the historic VOX AC30. Therefore the basic sound of this channel is classic VOX through and through. But by some subtle changes and tweaks this channel will also give you some serious classic rock Crunch. Although different types of guitars and pick-ups will give differing output levels and thus amp settings will vary between different guitars, then generally the rule of thumb is that cleaner sounds are going to be between Off (naturally!) and about 2 o'clock position of the knob. After that the channel preamp will slowly start to go into crunchy distortion, with the maximum distortion at Full (of course!). Although this channel is not seriously high gain (we've left that for channel 2) the distortion level can be seriously satisfying.

4. EQ and TONE controls

The TREBLE, MIDDLE, and BASS controls on this channel are of the interactive passive format that is historic to VOX amplifiers. This type of EQ is sometimes nicknamed as the "tone stack" by the nature that the three controls are drawn on a circuit diagram. Generally speaking, the position of each control knob will influence the effect of the other two. Our advice is to set the three controls at their midpoint positions and start from there. Experimentation is the key to finding your tone. For starters though, turning the Middle control down will make the sound more "hollow" particularly with high gain (distorted) settings, as typified on many modern heavy rock songs. Turning the Middle up will make the tone fuller, smoother and produce a more "singing" tone. Adjust Bass & Treble to suit.

The TONE CUT control is a classic VOX control that dates back to the very first VOX amplifier of 50 years ago, when it was the only form of tone control on the amplifier. In keeping with its name, this control works by reducing (CUTS) the amount of high frequency content of the sound and thus smoothes out and warms up the treble. When using this control please remember that as you turn the control UP that you are actually turning DOWN the Treble.

5. REVERB

This control regulates the amount of the on-board spring reverberation required for Channel 1 only. Please remember that the reverb is controlled ON or OFF by the footswitch as well.

6. VOLUME

This control is set at the end of the Channel 1 preamp circuit, before it goes to the FX Loop, Reverb, and Power Amp sections. As such it governs how loud the sound generated by the Channel 1 electronics is going to be. Low settings of the control will mean the amp will be pretty quiet, and higher settings will mean total mayhem has broken out! As the total sound level is controlled by both the Gain and Volume controls (and the Output Master, but more on this later) you will need to balance both the level and character of the sound with both these controls.

CHANNEL 2 SECTION

7. GAIN CONTROL

This control regulates the amount of signal amplification that is generated in the Channel 2 preamplifier circuit. The circuit design of Channel 2 is out and out mean, meaty and mighty – but with a good measure of VOX thrown in as well! The basic sound of this channel takes off where Channel 1 finishes; and by use of all of this channel's controls you can achieve a variety of sounds from gentle blues to classic rock to modern high gain wailing.

8. BRIGHT SWITCH

This switch brings in an extra capacitor (switch down) across the Gain control to boost the high-mid and upper frequencies. The effect of this is dependant on the position of the Gain control – lower settings mean that the switch is more active – higher positions mean that it is less active. A good use of this switch is to give extra bite and clarity to muddy sounding humbucking pick-ups.

9. FAT SWITCH

This switch brings in some extra gain, and also focuses the mid range of the guitar and amp which helps produce the “singing” tone when playing lead lines.

10. EQ and TONE controls

The TREBLE, MIDDLE, and BASS controls on this channel are of the interactive passive format but have different characteristics than the classic VOX TB circuit that Channel 1 is based on. The EQ is centered on different frequencies to enhance the higher gain capabilities of Channel 2. Generally speaking the position of each control knob will influence the effect of the other two. Our advice is to set the three controls at their midpoint positions and start from there. Experimentation is the key to finding your tone. For starters turning the Middle control down will make the sound more “hollow” particularly with high gain (distorted) settings, as typified on many modern heavy rock songs. Turning the Middle up will make the tone fuller, smoother and produce a more “singing” tone. Adjust Bass & Treble to suit.

The PRESENCE control is often found on other rock oriented guitar amps. It normally functions in the feedback circuit of the power amp to gently boost the presence frequency range (around 2 to 3kHz). This achieves the purpose of making the sound more lively and attacking, and originally was used to compensate for dead sounding rooms and auditoria. But of course, we at VOX like to do things a little differently than other amp companies: our Presence circuit combines the traditional active power amp feedback circuit with a passive circuit within Channel 2’s preamp that not only focuses the Presence boost but, by turning the control down, will introduce a high frequency cut filter that can be used to de-fuzz the preamp distortion, making it less aggressive and sweeter.

11. REVERB

This control regulates the amount of the on-board spring reverberation required for Channel 2 only. Please remember that the reverb is controlled ON or OFF by the footswitch as well!

12. VOLUME

This control is set at the end of the Channel 2 preamp circuit, before it goes to the FX Loop, Reverb, and Power Amp sections. As such it governs how loud the sound generated by the Channel 2 electronics will be. Obviously, low settings of the control will mean the amp will be pretty quiet, and higher settings will mean total mayhem has broken out! As the total sound level is controlled by both the Gain and Volume controls (and the Output Master, but more on this later) you will need to balance both the level and character of the sound with both these controls.

MASTER SECTION

13. OUTPUT MASTER VOLUME

This control is what is called a Post Phase Inverter Master Volume (PPIMV) and is so called because it operates in the power amplifier circuit between the output of the phase inverter valve and the input of the power output valves. A great deal of the sound of a valve guitar amplifier is actually generated by the phase inverter valve and therefore by using this type of design much of the true power amp characteristics are retained when you use this type of Master Volume. I.e. it keeps much of the true valve sound even at low levels of volume. In simple terms this control regulates the actual power output produced by the power amplifier, so at lower levels it is akin to

playing through a low power valve amp. Another benefit of this type of circuit and control (as mentioned in the introduction) is that the DI circuit is connected between the phase inverter valve and the Output Master Volume. This not only gives the DI the tone of the power amp, but the DI and power output control are totally independent.

14. STANDBY SWITCH

The standby switch is used to a) turn the amplifier on or off for short durations such as breaks when you do not want to go through the required warm up period, and b) it is used to alleviate strain on the amp's output valves when you are powering up from cold i.e. when warming up the amp.

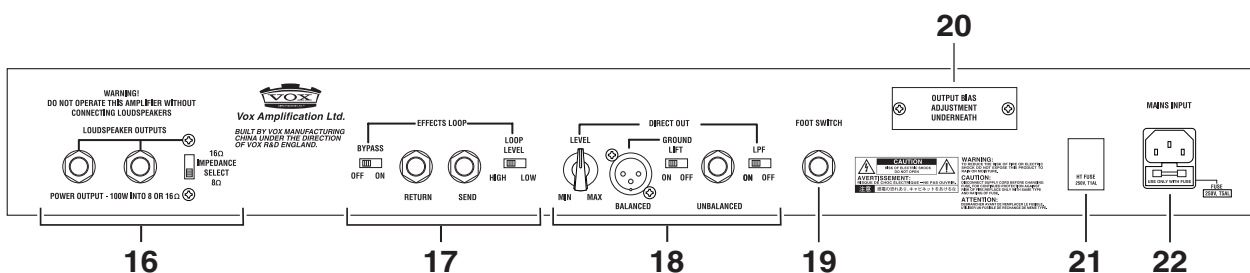
Historically the operation of the Standby switch is actually converse from its On & Off markings. Standby OFF means that the amp is switched INTO Standby and the amplifier is not operating, and Standby ON means the amp IS working. The Green LED indicator above the Standby switch will illuminate when the amplifier is ON.

15. POWER SWITCH

This switch turns the mains power coming into the amp on or off. When the amp is active the Red LED above the switch will be illuminated.

The correct procedure for powering up your AC50/100CP amplifier (and indeed virtually every valve guitar amp made) is A) Check that the amplifier's rating is suitable for the mains power that you are using (i.e. a 230V rated amp is going to be connected to 230V mains power, 120V to 120V etc, if in doubt please consult your VOX dealer), B) ensure that all cables (speaker, footswitch, FX loop, etc) are already connected, C) ensure MAINS and STANDBY switches are in the OFF position and then connect the mains power cord to the amplifier, D) turn ON the POWER switch and ensure that the RED LED is ON, E) wait for at least 2 minutes for the valves to warm up, and then F) turn ON the STANDBY switch. Your amplifier is now ready for use. Allowing the amplifier to warm up in this way will ensure that the valves are not subjected to too much stress and will help them to achieve maximum life.

REAR PANEL CONTROLS AND FUNCTIONS



WARNING! Panels shown are for Head variants – CP2 combo panels read in reverse.

16. LOUSPKEAKER OUTPUTS

Two parallel connected jack sockets for feeding speaker system.

* It is extremely important to the continued safe running of your amplifier that the speaker and amplifier impedances are closely matched – output valve and transformer damage can occur if this is not done!

With AC50/100CPH, please use 1 or 2 loudspeaker cabinets of your choice (We recommend VOX model V412BN 4x12" speaker cabinets). The Impedance Selector Switch allows you to connect either a 16 ohm or 8 ohm loudspeaker system. For 1 x 16 ohm cabinets set selector to 16 ohm. For 2 x 16 ohm cabinets set selector to 8 ohms. For 1 x 8 ohm cabinets set selector to 8 ohms.

On AC50CP2, one of speaker outputs is used to connect internal speakers and another socket can be used to connect extension speaker system. (We recommend VOX model V212BN 2 x 12" speaker cabinet as a perfect match with this combo amplifier). Please remember that the internal speakers are wired for 16 ohm. In case you use the internal and V212BN together, please set the Impedance Selectors Switch to 8 ohm.

Any other combination other than described here CANNOT be used.

17. EFFECTS LOOP

The series effects loop is situated between the outputs of the preamp stages and the input of the Reverb stage. The signal is then fed into the power amp stage. The BYPASS slide switch will either engage the loop (switch ON) or disconnect the effects loop circuitry from the rest of the amplifier (switch OFF). We recommend that if you are not using the loop then the switch should be set to the OFF position.

With the LOOP switch in the OFF position, the SEND jack socket is still operational and can therefore be used to send the signal to another device such as a tuner or slave amplifier.

The LOOP LEVEL Switch allows the loop to be used at two different signal levels (approximately +4dBV (high) and -10dBV (low)). This will enable a wide range of devices to be connected to the amplifier. We do not recommend the use of stomp box devices in a loop, particularly Fuzz and Distortion pedals as these can limit the headroom of the amplifier and prevent you achieving full power output.

18. DIRECT OUT

The AC50/100CP amplifier has a very comprehensive DI circuit, as explained earlier in this manual. Please refer back to the note 13 (Output Master Volume control) which explains the relationship between the DI circuit and the amplifier.

The DI is outputted on either Balanced XLR or Unbalanced Jack connection and both are controlled by the LEVEL rotary control. The GROUND LIFT Switch will either connect the external equipment to the AC50/100CP direct grounding or to a phantom ground circuit to prevent ground loops occurring, please try both positions for best performance.

The LPF (Low Pass Filter) switch will change the DI response to either the normal amplifier frequency response for use when connecting to slave amplifiers and guitar type speaker systems, or, when switched on, will introduce a very sharp filter network that removes the high frequencies that are normally removed by guitar loudspeakers. This enables the amp to be directly connected to PA or recording equipment and speaker emulated sounds to be achieved.

Please remember that by turning the Master Volume to 0 you can silent "record" from the DI output. It is HIGHLY RECOMMENDED that when doing so that the amplifier is still connected to the normal loudspeaker system so that if the Master is accidentally turned up then no damage can occur to your amplifier.

19. FOOTSWITCH JACK

This jack is for connecting the supplied VF002 double footswitch to the amplifier for remote channel (switch A) and reverb switching (switch B).

If you require to use an alternative switching system (MIDI switcher for instance) then the following information will be of use: -

Both switches are short to ground - Channel switching = jack Tip – channel 1 is closed – channel 2 is open – Reverb = jack Ring – reverb off is closed – reverb on is open. Approximately 7.5Vdc @ 10mA is present on open switches.

20. OUTPUT VALVE BIAS CONNECTION COVER

This plate covers the 2 potentiometers and test measuring points for setting the operational bias of the output valves. This should be done by qualified personnel only!

21. HT FUSE

The HT fuse protects the high voltage secondary circuit that supplies the valve circuits, particularly the output valves. This fuse will typically blow in the case of an output valve failure, but can also blow in the event of any other secondary circuit failure.

WARNING! IF THE FUSE SHOULD FAIL REPLACE IT ONLY WITH THE CORRECT TYPE AND RATING OF FUSE. Do not use any other value or serious damage could occur.

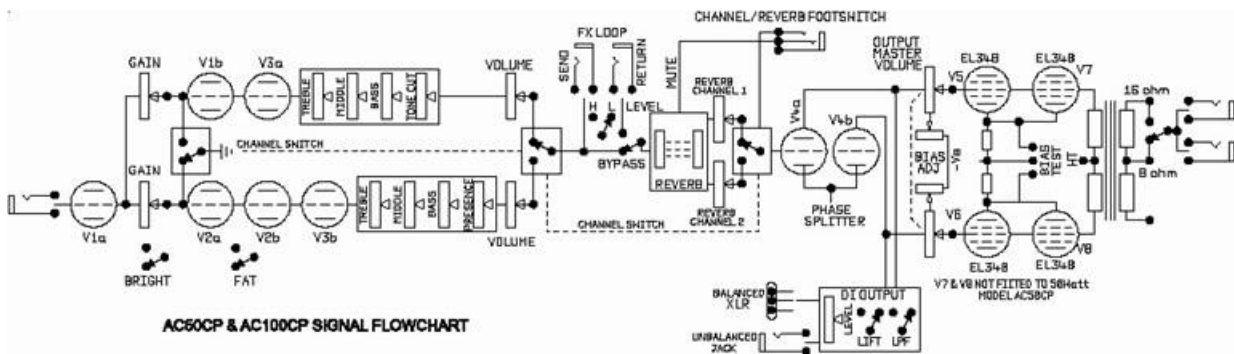
22. MAINS POWER INPUT and FUSE

The incoming mains power lead is connected to this inlet. Please use the supplied mains lead, or one of at least the same ratings (if in doubt check with your dealer). Before connecting the mains power please check that it is compatible with your amplifier, by checking that it matches the rating plate on the amplifier back panel.

The fuse that is in the mains inlet is there to protect you, your amplifier, and the mains circuit that you are connected to. If the fuse blows it is usually for a good reason, especially if it blows again after you replace it.

WARNING! IF THE FUSE SHOULD FAIL REPLACE IT ONLY WITH THE CORRECT TYPE AND RATING OF FUSE. Do not use any other value or serious damage could occur.

Please note! Your amplifier is designed to operate correctly on the A.C. Voltage and Frequency that is noted on the back panel mounted rating plate. If you wish to export/import this product to another country it may not be compatible and may require modification to suit. If in doubt please consult a VOX dealer or distributor.



SPECIFICATIONS

AC50CPH

50 Watt valve channel switching guitar amplifier head with spring reverb.

Power Output: 50 Watts RMS into selectable 8 or 16 ohm loudspeaker load.
Valve complement: 4 x 12AX7/ECC83 (note! V1 is low microphonic) and 2 x EL34B.
Country Variants and Mains Fuse:

100JP = 100V 50/60Hz – Fuse T3.15AL 250V
120US = 120V 50/60Hz – Fuse T3.15AL 250V
120EX = 120V 50/60Hz – Fuse T3.15AL 250V
230GE = 230V 50/60Hz – Fuse T1.6AL 250V
230UK = 230V 50/60Hz – Fuse T1.6AL 250V
240AU = 240V 50/60Hz – Fuse T1.6AL 250V

Dimensions (W x D x H): 702 x 265 x 285 mm / 27.6 x 10.4 x 11.2 inches

Weight: 22.6 kg / 49.8 lbs.

Included items: Power cable, VF002 footswitch

AC100CPH

100 Watt valve channel switching guitar amplifier head with spring reverb.

Power Output: 100 Watts RMS into selectable 8 or 16 ohm loudspeaker load.
Valve complement: 4 x 12AX7/ECC83 (note! V1 is low microphonic) and 4 x EL34B.
Country Variants and Mains Fuse:

100JP = 100V 50/60Hz – Fuse T5AL 250V
120US = 120V 50/60Hz – Fuse T5AL 250V
120EX = 120V 50/60Hz – Fuse T5AL 250V
230GE = 230V 50/60Hz – Fuse T2.5AL 250V
230UK = 230V 50/60Hz – Fuse T2.5AL 250V
240AU = 240V 50/60Hz – Fuse T2.5AL 250V

Dimensions (W x D x H): 702 x 265 x 285 mm / 27.6 x 10.4 x 11.2 inches

Weight: 25.9 kg / 57.1 lbs.

Included items: Power cable, VF002 footswitch

AC50CP2

50 Watt valve channel switching guitar amplifier head with spring reverb.

Power Output: 50 Watts RMS into selectable 8 or 16 ohm loudspeaker load.
Loudspeaker complement: 2 off VOX/Wharfedale GSH1230 8 ohm loudspeakers wired in series for a total of 16 Ohm load.

Valve complement: 4 x 12AX7/ECC83 (note! V1 is low microphonic) and 2 x EL34B.
Country Variants and Mains Fuse:

100JP = 100V 50/60Hz – Fuse T3.15AL 250V
120US = 120V 50/60Hz – Fuse T3.15AL 250V
120EX = 120V 50/60Hz – Fuse T3.15AL 250V
230GE = 230V 50/60Hz – Fuse T1.6AL 250V
230UK = 230V 50/60Hz – Fuse T1.6AL 250V
240AU = 240V 50/60Hz – Fuse T1.6AL 250V

Dimensions (W x D x H): 702 x 265 x 540 mm / 27.6 x 10.4 x 21.3 inches

Weight: 35.8 kg / 78.9 lbs.

Included items: Power cable, VF002 footswitch

Appearance and specifications of this product are subject to change without notice.

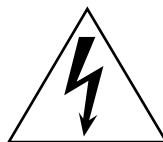
URL = <http://www.voxamps.co.uk>

INFORMATIONS IMPORTANTES DE SECURITE

- Lisez attentivement ces instructions.
- Veuillez conserver ces instructions.
- Observez tous les avertissements.
- Suivez toutes les consignes à la lettre.
- N'utilisez jamais cet appareil dans un endroit humide ni à proximité d'eau.
- L'appareil alimenté par courant électrique ne peut pas être exposé à des éclaboussures; évitez en outre de placer des récipients contenant des liquides, comme un vase (ou un verre de bière), sur l'appareil.
- Nettoyez uniquement l'appareil avec un chiffon doux et sec.
- Ne bloquez jamais les orifices de ventilation de l'appareil et installez-le toujours conformément aux instructions du fabricant.
- N'installez jamais l'appareil à proximité d'une source de chaleur, telle que des radiateurs, poêles ou tout autre dispositif (y compris des amplificateurs) générant de la chaleur.
- N'essayez jamais de contourner le dispositif de sécurité d'une prise de type polarisée ou d'une prise de terre. Une prise dite polarisée dispose de deux broches, dont l'une est plus large que l'autre. Une prise de terre comporte trois broches, dont une de mise à la terre. Cette broche plus large ou broche de mise à la terre vise à assurer votre sécurité. Si la fiche du cordon d'alimentation ne correspond pas au type de prise de courant de votre région, faites remplacer la prise obsolète par un électricien qualifié (pour les Etats-Unis et le Canada).
- Placez toujours le cordon d'alimentation de sorte qu'on ne risque pas de marcher dessus ni de le pincer. Cette précaution vise tout spécialement la fiche du cordon et sa sortie de l'appareil.
- Utilisez exclusivement les fixations/accessoires préconisés par le fabricant.
- S'il y a risque d'orage ou que vous ne comptez pas utiliser l'appareil pendant une période prolongée, débranchez-le du secteur.
- La mise sur OFF de l'interrupteur d'alimentation n'isole pas totalement ce produit de la ligne secteur; aussi, retirez la fiche de la prise s'il doit rester inutilisé pendant une période prolongée.
- Installez ce produit près de la prise électrique murale et gardez un accès facile à la prise électrique et au cordon d'alimentation.
- ATTENTION: Cet appareil doit absolument être connecté à une prise électrique reliée à la terre.
- Confiez tout travail de réparation uniquement à un S.A.V. qualifié. Faites appel au S.A.V. si l'appareil a subi tout endommagement, comme par exemple si sa fiche secteur ou son cordon d'alimentation sont endommagés, si de l'eau ou des objets ont pénétré à l'intérieur de l'appareil, si celui-ci a été exposé à la pluie ou à la moisissure, s'il est tombé ou présente tout signe de dysfonctionnement.
- N'utilisez jamais d'allonge trop longue avec cet appareil et ne l'alimentez jamais via les prises secteur équipant d'autres dispositifs.
- N'installez jamais cet appareil dans un endroit confiné comme une caisse de transport ou tout autre récipient similaire.
- Utilisez l'appareil uniquement avec le chariot, stand, trépied, fixation ou table spécifiés par le fabricant ou fourni avec l'appareil. Si vous avez placé l'appareil sur un chariot, soyez très prudent quand vous déplacez le chariot, afin d'éviter une chute et des blessures.



WARNING:
TO REDUCE THE RISK OF FIRE OR ELECTRIC SHOCK DO NOT
EXPOSE THIS PRODUCT TO RAIN OR MOISTURE.



L'éclair dans le triangle est un symbole destiné à attirer l'attention de l'utilisateur sur la présence de parties non isolées et de "tension dangereuse" à l'intérieur de l'appareil, qui posent des risques d'électrocution pour l'utilisateur.



Le point d'exclamation dans un triangle est un symbole destiné à attirer l'attention de l'utilisateur sur des sections de ce manuel contenant des informations importantes, liées à l'utilisation et à l'entretien de ce produit.

Marque CE pour les normes européennes harmonisées

La marque CE apposée sur tous les produits de notre firme fonctionnant sur secteur jusqu'au 31 décembre 1996 signifie que ces appareils répondent à la Directive EMC (89/336/CEE) et à la Directive concernant la marque CE (93/68/CEE).

La marque CE apposée après le 1 janvier 1997 signifie que ces appareils sont conformes à la Directive EMC (89/336/CEE), à la Directive concernant la marque CE (93/68/CEE) ainsi qu'à la Directive Basse Tension (73/23/CEE).

La marque CE apposée sur tous les produits de notre firme fonctionnant sur piles signifie que ces appareils répondent à la Directive EMC (89/336/CEE) et à la Directive concernant la marque CE (93/68/CEE).

* Les noms de sociétés, noms de produits et noms de formats, etc. dans ce manuel sont des marques de fabrique ou des marques déposées de leurs propriétaires respectifs.

AC50/AC100 Classic Plus

Manuel d'utilisation

INTRODUCTION

Merci d'avoir acheté notre ampli **VOX Classic Plus**. Comme vous le savez déjà probablement (auquel cas peut être n'auriez vous pas acheté cet ampli !) ces amplis sont disponibles en versions tête 50 Watts, tête 100 Watts et combo 50 Watts. Ce manuel couvre les opérations et autre détails de ces trois modèles. Cependant, la gamme Classic Plus est totalement nouvelle et améliorée en termes de design et d'équipements, soyez assuré d'avoir 50 ans d'histoire de son Classic Vox dans chacun de ces amplis.

Le Classic Plus est un canal qui commute les lampes du pré-ampli et de l'ampli de puissance, ce qui permet de produire de nombreux types de sons du son clean cristallin au gain très saturé, et tous les autres situés entre les deux. Les deux canaux ont une variété étendue de contrôles pour vous aidez à créer les textures de son que vous désirez, et comme les contrôles des deux canaux sont totalement indépendants, vous n'avez pas besoin de faire de compromis pour obtenir la palette de sons souhaitée.

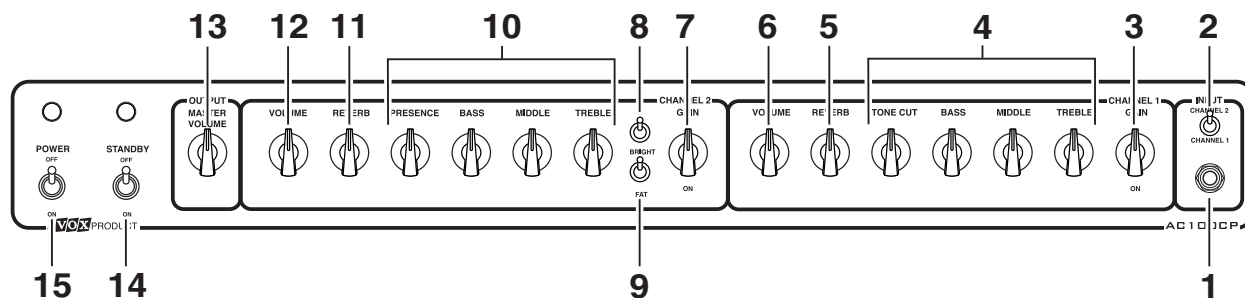
En plus des contrôles mentionnés précédemment, l'ampli dispose d'une reverb à ressort avec un contrôle pour chaque canal, commutable au pied, plus une boucle d'effet avec un contrôle de volume et un bypass commutable. La sortie d'extention DI dispose d'une sortie symétrique XLR et d'une sortie asymétrique jack avec des contrôles de volume rotatifs et une prise de terre commutable. Pour permettre une bonne connectivité dans un PA ou un enregistreur, la DI dispose d'un émulateur avec filtre basse fréquence (Low Pass Filter). Celui ci peut être utilisé ou pas sur le circuit requis. Un autre grand plus du circuit DI est placée après le lampe d'inversion de phase de l'ampli de puissance et avant le contrôle du master volume de sortie. Cela signifie que quelque soit le niveau sonore de votre enregistrement, vous avez un contrôle totalement indépendant du niveau de la sortie DI. Vous pouvez même totalement couper le volume principal et utiliser la sortie DI pour un enregistrement silencieux lors de prises de nuit.

Même si vous êtes un expert des amplis, nous vous suggérons vraiment de lire ce manuel avant d'allumer votre ampli. Il y a peut être quelque chose dans ces pages que vous ne savez pas. Même si ce n'est pas le cas, nous espérons vous avoir divertit en vous apprenant des choses sur votre nouveau CLASSIC PLUS.

Après avoir lu ce manuel, veuillez brancher votre guitare, allumer votre ampli et envoyer du vrai ROCK ...

Merci

CONTROLES ET FONCTIONS DU PANNEAU AVANT



ATTENTION ! Les panneaux montrés sont pour les versions tête – Les panneaux du CP2 sont à lire à l'envers.

SECTION ENTREE

1. Connecteurs d'entrée Jack

Comme son nom l'indique, ce connecteur est utilisé pour brancher votre guitare à l'ampli. Il est important de rappeler que l'utilisation de câbles de bonne qualité est primordiale pour obtenir la meilleure performance possible. Bien que de bons câbles puissent être relativement chers, c'est sans aucun doute un investissement qui vaut le coup. Nous recommandons les câbles Vox. N'hésitez pas à contacter votre magasin revendeur si vous avez besoin de conseils pour choisir un câble haute qualité.

2. Commutateur de sélection de canal

L'interrupteur sur le panneau avant noté CHANNEL1/CHANNEL2 est utilisé pour choisir chaque canal: CHANNEL 1 est principalement le canal utilisé pour les sons CLEAN/CRUNCH & CHANNEL 2 est fait pour obtenir des sons lourds et saturés.

Le connecteur FOOTSWICH monté à l'arrière est également disponible pour connecter le boîtier de commutation fonctionnant au pied (VOX VF002).

Rappelez-vous ! Pour utiliser la fonction Footswitch du panneau avant, l'interrupteur Switch doit être placé en position CHANNEL 2.

La LED associé aux canaux (Vert pour Ch1, Rouge pour Ch2) s'illumine quand chacun des canaux est sélectionné.

SECTION CANAL 1

3. CONTROLE DE GAIN

Ce contrôle règle le niveau du signal d'amplification généré dans le circuit de préamplification du canal 1, et à ce titre, règle les qualités du son de base du canal.

La conception du circuit du canal 1 est basée sur le modèle du canal Top Boost du mythique VOX AC30. Par conséquent, le son de base de ce canal est le son typique des amplis Vox. Mais par de subtils changements et modifications, ce canal pourra également vous donner des sons Crunch sérieusement rock. Bien que différents types de guitares et micros donnent des niveaux de sortie très différents faisant varier les réglages d'amplis suivant le type de guitare, généralement le principe de base est que les sons clairs sont situés entre Off (naturellement) et la position du bouton situé à 2 heures. Après cela, le préampli du canal commencera doucement à donner une distorsion crunchy, avec le maximum de distorsion à Full (bien sûr !). Bien que ce canal ne soit pas vraiment fait pour un gain élevé (nous avons laissé ça au canal 2), le niveau de distorsion peut s'avérer très satisfaisant.

4. Contrôle EQ et TONE

Les contrôles TREBLE, MIDDLE et BASS sur ce canal sont issus du format interactif passif qui est historique pour des amplis VOX. Ce type de EQ est parfois surnommé "tone stack" de part la nature du placement de ces trois contrôles dans le circuit.

En général, la position de chaque bouton de contrôle influencera l'effet des deux autres. Notre conseil est de régler les trois boutons en position centrale et de commencer à ce point. L'expérimentation est la clé pour trouver votre son. Pour les débutants, baisser le bouton Middle donnera un son plus « sombre », particulièrement avec des réglages de gain élevé, son caractéristique de beaucoup de chansons heavy rock. Augmenter le bouton Middle donnera un son plus consistant, plus doux, plus mélodique. Ajuster ensuite les boutons Bass et Treble.

Le bouton TONE CUT est un bouton Vox classique qui date du tout premier ampli VOX, il y a 50 ans, à l'époque où cela était le seul contrôle du son sur les amplis. En adéquation avec son nom, ce bouton fonctionne par réduction (CUTS) du niveau des hautes fréquences contenues dans le son afin de lisser et de donner plus de chaleur aux aigus. Rappelez-vous que quand vous augmentez ce bouton, en réalité, vous baissez le Treble.

5. REVERB

Ce bouton permet de régler le niveau de réverbération requis, pour le canal 1 uniquement. Veuillez ne pas oublier que la reverb est également commutable en position ON ou OFF avec le footswitch.

6. VOLUME

Ce bouton est un réglage situé à l'extrémité du pré-ampli du canal 1, avant de passer par la boucle FX, la reverb, et l'ampli de puissance. Ainsi, il commande le volume généré par le canal 1. Avec un réglage faible des contrôles, l'ampli sera agréablement silencieux, et avec un réglage au maximum vous ferez un grabuge à tout casser ! Le niveau du volume global est contrôlé par les boutons Gain et Volume (et par la sortie Master, mais nous verrons cela plus tard), vous pourrez équilibrer le volume et le caractère du jeu avec ces deux boutons.

SECTION CANAL 2

7. GAIN CONTROL

Ce bouton permet de régler le niveau du signal d'amplification généré par le pré-ampli du canal 2. La conception du canal 2 en sortie est consistante et brillante, et avec une bonne dose d'esprit VOX ! Le son de base de ce canal prend effet là où celui du canal 1 a ses limites ; et en utilisant la totalité des réglages de ce canal, vous pouvez réaliser une variété de sons allant du blues en passant par le rock jusqu'à une saturation ultra moderne.

8. BRIGHT SWITCH

Ce commutateur actionne un extra condensateur (position basse) à travers le contrôle du Gain pour développer les fréquences moyennes-hautes et supérieures. L'effet de celui-ci est dépendant de la position du réglage de gain. Avec les réglages au plus bas, le commutateur est plus actif. En position haute, le commutateur est moins actif. Une utilisation optimale de ce commutateur permet de donner une clarté inégalable aux sons de micros humbucker peu précis.

9. FAT SWITCH

Ce commutateur actionne un extra Gain, et centre la gamme de la guitare et l'ampli aidant à produire un son « chantant » lorsque vous jouez un chorus.

10. EQ et TONE controls

Les boutons TREBLE, MIDDLE, et BASS sur ce canal sont en format interactif passif mais possèdent des caractéristiques différentes de celles du circuit du VOX TB classique sur lequel est basé le canal 1. Le EQ est centré sur différentes fréquences, pour améliorer la capacité du Gain sur le canal 2. Généralement le fait de parler de la position de chaque bouton influence l'effet des deux autres. Notre conseil est de mettre les trois boutons en position milieu et allumer dans cette position. Cette expérimentation est la clef pour trouver votre réglage. Pour les débutants : tourner le bouton Middle vers le bas, produit un son plus « creux » particulièrement avec des réglages de Gain élevé, caractéristique des sons modernes « heavy rock ». Avec le bouton Middle en position haute vous obtiendrez un son plus plein et plus lisse, idéal pour un accompagnement chantant. Ajustez Bass et Treble et c'est parti.

Le bouton PRESENCE est souvent utilisé sur d'autres types d'amplis rock. Il fonctionne normalement dans le circuit de retour de l'ampli de puissance pour donner de la puissance à cette gamme de fréquence (autour de 2 à 3 khz). Cela apportera un son vivant, incisif et originale pour compenser les nuisances sonores produit dans une pièce à acoustique limitée. De plus comme chez VOX nous aimons faire les choses différemment des autres fabricants : notre circuit de Présence combine le circuit traditionnel du retour de l'amplis de puissance avec un circuit passif dans le pré-ampli qui ne se focalise pas sur le boost de la Présence mais qui, en la diminuant, introduira un filtre haute fréquence pouvant être utilisé pour solliciter le pré-ampli de distortion, produisant à la fois un son agressif et cristallin.

11. REVERB

Ce bouton permet de régler le niveau de réverbération requis pour le canal 2 uniquement. Veuillez ne pas oublier que la reverb est également commutable en position ON ou OFF avec le footswitch.

12. VOLUME

Ce bouton est un réglage situé à l'extrémité du pré-ampli du canal 2, avant de passer par la boucle FX, la reverb, et l'ampli de puissance. Ainsi il commande le volume généré par le canal 2. Avec un réglage faible des contrôles, l'ampli sera agréablement silencieux, et avec un réglage au maximum vous ferez un grabuge à tout casser ! Le niveau du volume global est contrôlé par les boutons Gain et Volume (et par la sortie Master, mais nous verrons cela plus tard), vous pourrez équilibrer le volume et le caractère du jeu avec ces deux boutons.

SECTION MASTER

13. Sortie Master Volume

Ce bouton est ce qu'on appelle un Post Inverseur de Phase du Master Volume. Son nom vient du fait qu'il agit dans le circuit de l'ampli de puissance entre la sortie de la lampe inverseur de phase et l'entrée des lampes de puissance de sortie. Le plus du son d'un ampli guitare à lampes est en réalité généré par la lampe inverseur de phase et donc en utilisant ce type de conception, plus de caractéristiques d'un véritable ampli de puissance sont maintenues quand vous utilisez ce type de Master Volume. Cela garde le son véritable de la lampe, même à bas volume. En d'autres termes, ce bouton régule la puissance réelle de sortie produite par l'ampli de puissance, donc à de plus faibles niveaux, cela s'apparente à jouer à travers une lampe de puissance. Un autre avantage de ce type de circuit et bouton (mentionné dans l'introduction) est que le circuit DI est connecté entre la lampe inverseur de phase et Master Volume de sortie. Cela ne fait pas que donner au DI le son de l'ampli de puissance, mais le DI et le bouton de sortie de puissance sont totalement indépendants.

14. Commutateur Standby

Le commutateur Standby est utilisé pour :

- Allumer ou éteindre l'ampli pour de courtes durées lors de pauses par exemple et que vous ne voulez pas repassez par la période de chauffe obligatoire.
- Alléger les contraintes subies par les lampes de sortie quand elles passent du froid au chaud c'est-à-dire quand l'ampli chauffe.

Historiquement, l'opération du commutateur Standby est en réalité inverse des inscriptions On & Off. Standby OFF veut dire que l'ampli est en Standby, l'ampli n'est pas opérationnel.

Standby ON signifie que l'ampli fonctionne. La LED verte au dessus du commutateur Standby sera illuminé quand l'ampli est sur ON.

15. Commutateur Power

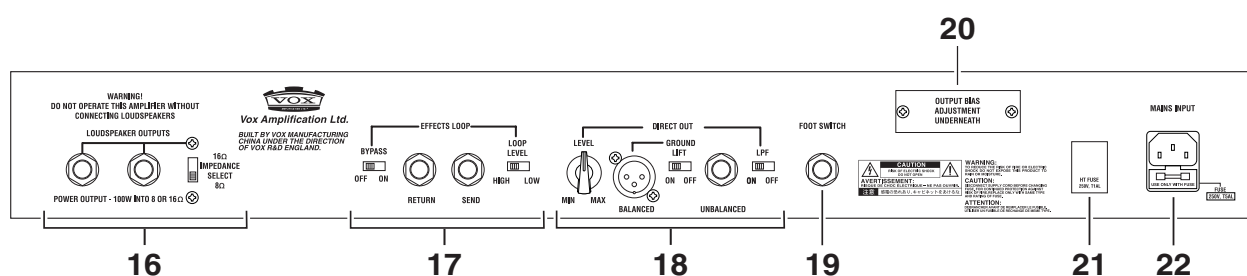
Ce commutateur met l'ampli hors tension ou sous tension. Quand l'ampli est actif, la LED rouge au-dessus est illuminé.

La procédure normale pour allumer votre AC50/100CP (et pratiquement tous les amplis à lampes) est :

- Vérifier que la tension de l'amplificateur est approprié à l'alimentation que vous utilisez (c'est à dire une tension de 230V doit être connectée à une alimentation de 230V, 120V à 120V etc, si vous avez un doute, n'hésitez pas à consulter votre revendeur VOX)
- Assurez-vous que tous les câbles (enceinte, footswitch, boucle FX, etc) sont déjà connectés
- Assurez-vous que les commutateurs MAINS et STANDBY sont en position OFF puis connectez le cordon d'alimentation à l'ampli.
- Placez le commutateur POWER sur ON et vérifier que la LED rouge est allumé.
- Attendez au moins deux minutes que les lampes chauffent
- Placer le commutateur Standby sur ON.

Votre ampli est prêt à l'emploi. Pour permettre à votre ampli de fonctionner au mieux, assurez-vous que les lampes ne sont pas soumises à trop de tension, ce qui permettra à votre ampli de fonctionner le plus longtemps possible.

CONTROLES ET FONCTIONS DU PANNEAU ARRIERE



ATTENTION ! Les panneaux montrés sont pour les versions tête – Les panneaux du CP2 sont à lire à l'envers.

16. SORTIE BAFFLE

Deux sorties HP format jack for la connexion à un system HP.

Il est extrêmement important pour le bon fonctionnement et la longévité de votre ampli de vous assurer que l'impédance des HP corresponde parfaitement à l'impédance sous laquelle l'ampli travaille. Les lampes de sortie ainsi que le transformateur peuvent être sérieusement endommagé si cela n'est pas le cas !

Avec l'AC50/100CPH, veuillez utiliser 1 ou 2 enceinte(s) de votre choix (nous recommandons les modèles d'enceintes Vox V412BN 4x12". Le sélecteur d'impédance vous permet de connecter des baffles fonctionnant sous 16 Ohms ou 8 Ohms. Pour une enceinte 1 x 16 Ohms réglez le sélecteur sur 16 Ohms. Pour une enceinte de 2 x 16 Ohms, réglez le sélecteur sous 8 Ohms. Pour une enceinte 1 x 8 Ohms réglez le sélecteur sur 8 Ohms.

Avec l'AC50CP2, une des sorties HP est utilisée pour le HP interne et l'autre sortie peut être utilisée pour connecter un baffle d'extension. Nous vous recommandons le modèle Vox V212BN 2 x 12" puisque ce dernier correspond parfaitement à ce combo. Souvenez vous que le HP interne est câblé sous 16 Ohms. A cas ou vous utilisez le HP interne et le V212BN ensemble, veuillez régler le sélecteur d'impédance sur 8 Ohms.

Toute autre combinaison autre que celles décrites ici ne peut être utilisée.

17. BOUCLE D'EFFETS

La boucle d'effets en série est située entre les sorties du pré-ampli et l'entrée de la Reverb. Le signal est alors envoyé dans l'ampli de puissance. Le commutateur BYPASS pourra soit engager la boucle (commutateur ON) ou déconnecter l'ensemble du circuit de la boucle d'effets du reste de l'ampli (commutateur OFF). Nous recommandons de placer le commutateur sur OFF si vous n'utilisez pas la boucle.

Avec le commutateur en position OFF, le connecteur SEND est toujours opérationnel et peut par conséquent toujours être utilisé pour envoyer le signal vers un autre... tel qu'un tuner ou un ampli esclave.

Le commutateur LOOP LEVEL permet d'utiliser la boucle à deux niveaux de signal différent (approximativement +4dBV (haut) et -10dBV (bas)). Cela permettra à une très large gamme d'effets d'être connecté à l'ampli. Nous déconseillons l'utilisation d'effets "stomp box" dans une boucle, particulièrement les pédales Fuzz et Distortion comme celles-ci peuvent absorber la puissance de sortie de votre ampli et vous empêcher de l'utiliser à pleine puissance.

18. SORTIE DIRECT

Les amplis AC50/100CP ont un circuit DI très complet, comme il a été expliqué précédemment dans ce manuel. Veuillez-vous reporter à la page 13 (bouton de sortie Master Volume) qui explique la relation entre le circuit DI et l'ampli. Le DI est dérivé soit sur une connexion XLR symétrique ou Jack asymétrique, les deux sont contrôlés par le bouton rotatif de niveau. Le commutateur GROUND LIFT connectera l'équipement externe soit à la prise des AC50/100CP ou à une prise de terre fantôme... Veuillez essayer les deux positions pour obtenir la meilleure performance.

Le commutateur LPF (Low Pass Filter) changera la réponse du DI de la fréquence normale de réponse de l'ampli pour l'utilisation connecté avec un ampli esclave ou des systèmes d'enceintes pour guitare, ou quand il est enclenché, introduira un réseau de filtre très pointu qui supprime les hautes fréquences qui sont normalement enlevées par les hauts parleurs de guitares. Cela permet à l'ampli d'être directement connecté à un PA ou un équipement d'enregistrement et des enceintes de sons émulés.

Rappelez-vous quand tournant le Master Volume à 0, vous avez la possibilité de vous enregistrer en silence. Cela est vivement recommandé si l'ampli est toujours connecté au système HP normal, ainsi, si le Master est accidentellement augmenté, votre ampli ne pourra subir aucun dommage.

19. JACK FOOTSWITCH

Ce Jack sert à la connexion du footswitch 2 voies, VF002, fourni avec l'ampli, qui permet de passer d'un canal à l'autre (switch A) et d'activer/désactiver la Reverb (switch B).

Si vous devez utiliser un système de switch alternatif (MIDI switcher par exemple) alors les informations suivantes vous seront utiles :

Chaque switch est relié à la terre – Changement de canal = extrémité Jack – Canal 1 est fermé – Canal 2 est ouvert – Reverb = bague de Jack – Reverb désactivée – Reverb activée. Approximativement 7.5V dc @ 10 mA présent sur switches ouverts.

20. Protection de la connexion Bias de Lampe de sortie

Protection de la connexion Bias de Lampe de sortie – Cette plaque couvre les 2 potentiomètres et les points tests de mesure pour régler le bias opérationnel de la lampe de sortie. Cette opération ne peut être réalisée que par une personne qualifiée !

Veillez noter ! Votre ampli est conçu pour fonctionner correctement sur un Voltage et Fréquence de courant qui est noté sur la plaque de caractéristiques sur le panneau arrière. Si vous souhaitez exporter ou importer ce produit dans un autre pays, il peut ne pas être compatible ou nécessiter quelques modifications pour fonctionner. En cas de doute, veuillez consulter votre revendeur ou distributeur VOX.

21. Fusible HT

Le fusible HT protège le second circuit haute tension qui alimente les circuits des lampes, particulièrement les lampes de sortie. Ce fusible sautera en de cas problème avec une lampe de sortie mais peut également sauter pour n'importe quel autre problème avec le circuit secondaire.

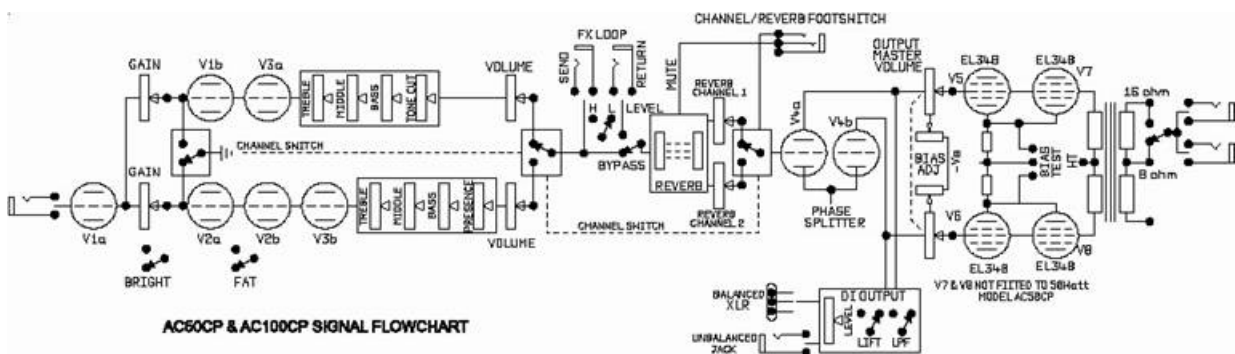
ATTENTION ! SI LE FUSIBLE VENAIT A ECHOUER REMPLACEZ LE UNIQUEMENT PAR UN MEME TYPE DE FUSIBLE DE MEME PUISSANCE. N'utiliser aucune autre valeur où de sérieux dommages pourraient se produire.

22. ENTREE D'ALIMENTATION & FUSIBLE

Le câble d'alimentation est connecté à cet endroit. Veuillez utiliser le cordon d'alimentation fourni, ou un, au moins de même puissance (en cas de doute, voyez avec votre revendeur). Avant de connecter le câble d'alimentation, vérifier la compatibilité avec votre ampli à l'aide de la plaque de caractéristiques située sur le panneau arrière de l'ampli.

Le fusible qui est situé dans l'arrivée principale est là pour vous protéger, vous et votre ampli, mais également, le circuit principal auquel vous êtes connecté. Si le fusible saute, c'est habituellement pour une bonne raison, surtout s'il saute encore après que vous l'ayez remplacé.

ATTENTION ! SI LE FUSIBLE VENAIT A ECHOUER REMPLACEZ LE UNIQUEMENT PAR UN MEME TYPE DE FUSIBLE DE MEME PUISSANCE. N'utilisez aucune autre valeur où de sérieux dommages pourraient se produire.



SPÉCIFICATIONS

AC50CPH

Tête d'ampli guitare à lampe 50 Watts avec canaux commutables et reverb à ressort.

Puissance de sortie:	50 Watts RMS sous charge HP 8 ou 16 ohm
Complément lampe:	4 x 12AX7/ECC83 (note ! V1 est à faible microphonie) et 2 x EL34B
Variantes pays et fusible principaux:	100JP = 100V 50/60Hz ~ Fusible T3,15AL 250V 120US = 120V 50/60Hz ~ Fusible T3,15AL 250V 120EX = 120V 50/60Hz ~ Fusible T3,15AL 250V 230GE = 230V 50/60Hz ~ Fusible T1,6AL 250V 230UK = 230V 50/60Hz ~ Fusible T1,6AL 250V 240AU = 240V 50/60Hz ~ Fusible T1,6AL 250V
Dimensions (L x P x H):	702 x 265 x 285 mm
Poids:	22.6 kg
Accessoires fournis:	Cordon d'alimentation, pédale VF002

AC100CPH

Tête d'ampli guitare à lampe 100 Watts avec canaux commutables et reverb à ressort.

Puissance de sortie:	100 Watts RMS sous charge HP 8 ou 16 ohm-
Complément lampe:	4 x 12AX7/ECC83 (note ! V1 est à faible microphonie) et 4 x EL34B
Variantes pays et fusible principaux:	100JP = 100V 50/60Hz ~ Fusible T5AL 250V 120US = 120V 50/60Hz ~ Fusible T5AL 250V 120EX = 120V 50/60Hz ~ Fusible T5AL 250V 230GE = 230V 50/60Hz ~ Fusible T2,5AL 250V 230UK = 230V 50/60Hz ~ Fusible T2,5AL 250V 240AU = 240V 50/60Hz ~ Fusible T2,5AL 250V
Dimensions (L x P x H):	702 x 265 x 285 mm
Poids:	25.9 kg
Accessoires fournis:	Cordon d'alimentation, pédale VF002

AC50CP2

Tête d'ampli guitare à lampe 50 Watts avec canaux commutables et reverb à ressort.

Puissance de sortie:	50 Watts RMS sous charge HP 8 ou 16 ohm
Haut-parleur intégré:	Il s'agit de 2 HP Vox/Wharfedale GSH1230 8 ohms câblés en série pour une charge totale de 16 Ohms.
Complément lampe:	4 x 12AX7/ECC83(note ! V1 est à faible microphonie) et 4 x EL34B
Variantes pays et fusible principaux:	100JP = 100V 50/60Hz ~ Fusible T3,15AL 250V 120US = 120V 50/60Hz ~ Fusible T3,15AL 250V 120EX = 120V 50/60Hz ~ Fusible T3,15AL 250V 230GE = 230V 50/60Hz ~ Fusible T1,6AL 250V 230UK = 230V 50/60Hz ~ Fusible T1,6AL 250V 240AU = 240V 50/60Hz ~ Fusible T1,6AL 250V
Dimensions (L x P x H):	702 x 265 x 540 mm
Poids:	35.8 kg
Accessoires fournis:	Cordon d'alimentation, pédale VF002

L'apparence et les spécifications sont sujettes à modifications sans préavis.

URL = <http://www.voxamps.co.uk>

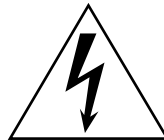
WICHTIGE SICHERHEITSHINWEISE

- Bitte lesen Sie sich alle Bedienungshinweise durch.
- Bewahren Sie diese Bedienungshinweise auf.
- Beachten Sie alle Warnungen.
- Befolgen Sie alle Instruktionen.
- Verwenden Sie dieses Gerät niemals in der Nähe von Wasser.
- Ein netzgespeistes Gerät darf niemals Regen- oder Wassertropfen ausgesetzt werden. Außerdem darf man keine Flüssigkeitsbehälter wie Vasen usw. darauf stellen.
- Reinigen Sie es ausschließlich mit einem trockenen Tuch.
- Versperren Sie niemals die Lüftungsschlitze und stellen Sie das Gerät nur an Orten auf, die vom Hersteller ausdrücklich empfohlen werden.
- Stellen Sie das Gerät niemals in die Nähe einer Wärmequelle, z.B. eines Heizkörpers, Ofens oder eines anderen Wärme erzeugenden Gerätes (darunter auch Endstufen).
- Versuchen Sie niemals, die polarisierte Leitung bzw. Erde hochzulegen oder zu umgehen. Ein polarisierter Stecker ist mit zwei flachen Stiften unterschiedlicher Breite versehen. Ein Stecker mit Erdung weist zwei Stifte und eine Erdungsbuchse auf. Wenn der beiliegende Stecker nicht in Ihre Steckdose passt, sollten Sie einen Elektriker bitten, die Steckdose zu erneuern (für die USA und Kanada).
- Sorgen Sie dafür, dass man weder über das Netzkabel stolpern kann, noch dass es in unmittelbarer Nähe einer Steckdose, darunter auch Zusatzsteckdosen anderer Geräte, abgeklemmt wird. Auch am Austritt aus dem Gerät darf das Netzkabel auf keinen Fall gequetscht werden.
- Verwenden Sie nur Halterungen/Zubehör, die/das vom Hersteller ausdrücklich empfohlen werden/wird.
- Im Falle eines Gewitters bzw. wenn Sie das Gerät längere Zeit nicht verwenden möchten, lösen Sie bitte den Netzanschluss.
- Durch Ausschalten des Hauptschalters wird dieses Erzeugnis nicht vollständig vom Netz getrennt. Ziehen Sie deshalb den Stecker des Netzkabels aus der Steckdose, wenn Sie das Erzeugnis längere Zeit nicht verwenden.
- Stellen Sie diesen Verstärker in der Nähe einer Wand Schutzkontaktdose auf und achten Sie auf die freie Zugänglichkeit des Netzanschlusskabels.
- Warnhinweis: Dieser Verstärker darf nur an Steckdosen mit Schutzleiter (Erdung) betrieben werden.
- Überlassen Sie alle Wartungsarbeiten einem erfahrenen Wartungstechniker. Wartungsarbeiten oder Reparaturen sind erforderlich, wenn das Netzkabel oder der Stecker beschädigt ist, wenn Flüssigkeit oder andere Gegenstände in das Geräteinnere gefallen sind, wenn das Gerät im Regen gestanden hat, sich nicht erwartungsgemäß verhält oder wenn es gefallen ist.
- Stellen Sie das Gerät niemals unmittelbar neben die Steckdose und/oder Erweiterungssteckdose eines anderen Geräts.
- Stellen Sie das Gerät während des Betriebes niemals in einen Türschrank oder den Lieferkarton.
- Stellen Sie das Gerät nur auf einen Wagen, Ständer, Stative, Halterungen oder Tische, die vom Hersteller ausdrücklich empfohlen werden oder eventuell zum Lieferumfang gehören. Seien Sie beim Verschieben eines geeigneten Wagens vorsichtig, damit weder er, noch das Gerät selbst umkippt bzw. hinfällt und Sie eventuell verletzt.



WARNING:

TO REDUCE THE RISK OF FIRE OR ELECTRIC SHOCK DO NOT EXPOSE THIS PRODUCT TO RAIN OR MOISTURE.



Der als Pfeil dargestellte Blitz in einem Dreieck weist den Anwender auf nicht isolierte, „gefährliche Spannungen“ im Geräteinneren hin, die so stark sein können, dass sie einen Stromschlag verursachen.



Das Ausrufezeichen in einem Dreieck weist den Anwender darauf hin, dass zum Lieferumfang des Gerätes wichtige Bedien- und Wartungshinweise (eventuell Reparaturhinweise) gehören.

Das CE-Zeichen für die Europäische Gemeinschaft

Vor dem 31.12.1996 vergebene CE-Zeichen auf unseren netzgespeisten Geräten zeigen an, daß diese Geräte gemäß der EMC-Richtlinie (89/336/EWG) und der CE-Richtlinie (93/68/EWG) der EU arbeiten.

Nach dem 01.01.1997 vergebene CE-Zeichen auf unseren netzgespeisten Geräten zeigen an, daß diese Geräte gemäß der EMC-Richtlinie (89/336/EWG), der CE-Richtlinie (93/68/EWG) und der Niederspannungsstromrichtlinie (73/23/EWG) der EU arbeiten. Die CE-Zeichen auf unseren batteriegespeisten Geräten zeigen an, daß diese Geräte gemäß der EMC-Richtlinie (89/336/EWG) und der CE-Richtlinie (93/68/EWG) der EU arbeiten.

* Die übrigen in dieser Bedienungsanleitung erwähnten Firmen-, Produkt-, Formatnamen usw. sind Warenzeichen oder eingetragene Warenzeichen der rechtlichen Eigentümer und werden ausdrücklich anerkannt.

AC50/AC100 Classic Plus Bedienungsanleitung

EINLEITUNG

Vielen Dank für Ihre Entscheidung zu einem Verstärker der VOX CLASSIC PLUS-Serie. Wie Sie vielleicht schon wissen, (sonst hätten Sie sich nicht zum Kauf entschieden) sind diese Verstärker in 50- und 100W-Ausführung als Topteil und als 50 W Combo erhältlich. Diese Bedienungsanleitung bezieht sich auf alle drei Modelle. Obwohl die Classic Plus-Serie vom Design und den Features her auf dem neuesten Stand der Dinge ist, hört man auch diesen Teilen die 50 Jahre Sound-Erfahrung des VOX-Teams nachhaltig an.

Die Classic Plus-Serie bietet zwei Kanäle und enthält einen Vor- sowie einen Leistungsverstärker der Röhren-Sonderklasse, mit denen sich sowohl „porentief cleane“ als auch schwer „bratende“ Sounds –und alles, was dazwischen liegt– erzielen lassen. Die beiden Kanäle sind mit separaten Bedienelementen bestückt, so dass jederzeit zwei völlig unterschiedliche Sounds zur Verfügung stehen.

Außer den eben erwähnten Reglern enthält der Amp eine Hallfeder mit separat einstellbarem Anteil für beide Kanäle nebst Fernbedienungsmöglichkeit per Fußtaster. Ferner kann man Effekte einschleifen, den Betriebspegel einstellen und bei Bedarf die „Bypass“-Position wählen. Außerdem steht eine flexible DI-Funktion zur Verfügung, die mit symmetrischen XLR- und unsymmetrischen Klinkenbuchsen bestückt ist. Es gibt eine Groundlift Schaltung und der Ausgangspegel des Direktsignals kann eingestellt werden. Um bei einer Direktverbindung mit der Beschallungsanlage oder dem Mischpult im Studio jederzeit eine optimale Signalqualität zu garantieren, ist die DI-Schaltung mit einem Tiefpassfilter (LPF) ausgestattet, das man bei Bedarf ein- oder ausschalten kann. Ein weiterer Vorteil der DI-Schaltung ist, dass sie sich hinter der Phasenumkehrstufe der Endstufe, aber vor dem MASTER VOLUME-Regler befindet. Das bedeutet im Klartext, dass man den Pegel auf der Bühne beliebig ändern kann, ohne das DI-Signal zu beeinflussen. Der MASTER VOLUME-Regler kann also auch auf Null gestellt werden, so das man selbst zu nachtschlafender Zeit noch aufnehmen kann, ohne die Umwelt zu belästigen.

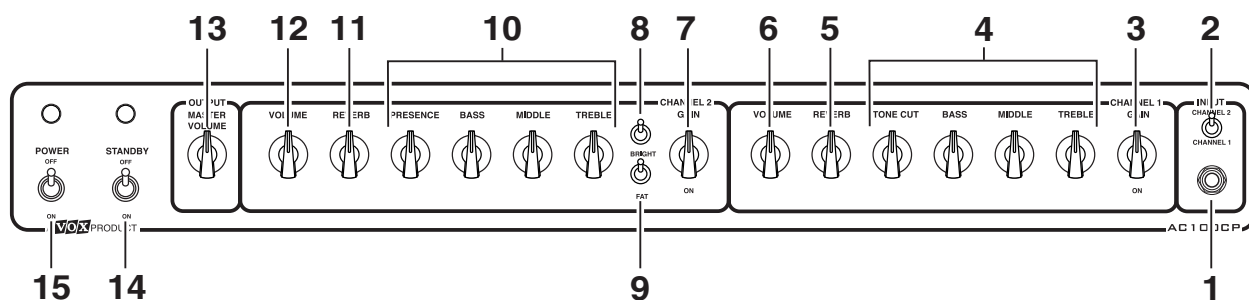
Selbst wenn dies nicht Ihr erster Verstärker ist, sollten Sie sich diese Bedienungsanleitung durchlesen, bevor Sie den Amp das erste Mal einschalten. Schließlich ist es nicht ausgeschlossen, dass bestimmte Dinge anders funktionieren, als man anfangs glaubt. Und selbst wenn Sie zuletzt feststellen, dass Sie doch schon alles wussten, können Sie dann ruhigen Gewissens mit Ihrem CLASSIC PLUS loslegen.

Nach der Lektüre können Sie Ihre Gitarre einstöpseln und spielen, bis Ihre Finger wund sind.

Vielen Dank,

Ihr VOX-Team

BEDIENELEMENTE AUF DER FRONTPLATTE



WARNUNG! Hinweis! Die abgebildete Frontplatte zeigt die Anordnung der Regler bei den Topteilen – beim CP2 Combo sind die Bedienelemente in umgekehrter Reihenfolge angeordnet.

EINGANGSSEKTION

1. INPUT-Buchse

Hier muss die Gitarre angeschlossen werden. An dieser Stelle wollen wir unbedingt zur Verwendung hochwertiger Kabel raten, um jederzeit einen optimalen Sound und eine konstante Leistung zu erzielen. Gute Kabel sind zwar nicht billig, aber den Luxus sollten Sie sich unbedingt leisten. Verwenden Sie nach Möglichkeit Vox-Kabel. Weitere Fragen zu geeigneten Kabeln beantwortet Ihnen gerne Ihr Händler.

2. INPUT CHANNEL-Wahlschalter

Der CHANNEL 1/CHANNEL 2-Schalter auf der Frontplatte dient zur Anwahl des benötigten Kanals: „CHANNEL 1“ ist vornehmlich für CLEAN/CRUNCH-Sounds geeignet. „CHANNEL 2“ bedient hingegen die etwas härtere Übersteuerung.

An die FOOTSWITCH-Buchse auf der Rückseite kann man einen VOX VF002 Fußtaster für die Kanalumschaltung anschließen.

ACHTUNG! Um die Kanäle per Fuß wählen zu können, MÜSSEN Sie den frontseitigen Kippschalter auf „CHANNEL 2“ stellen.

Die zugehörige Diode zeigt jeweils an, welcher Kanal gerade gewählt ist (grün für Kanal 1, rot für Kanal 2).

CHANNEL 1-Sektion

3. GAIN-Regler

Hiermit bestimmen Sie, wie stark der Signalpegel von der Vorverstärkerschaltung für Kanal 1 angehoben wird. Das hat einen großen Einfluss auf den Sound. Die Schaltung von Kanal 1 beruht auf dem legendären „Top Boost“-Kanal des historischen VOX AC30. Dieser Kanal erzeugt demnach den typischen VOX-Sound. Man braucht sich aber keine große Mühe zu geben, um aus diesem Kanal auch amtliche „Crunch“-Sounds zu kitzeln. Obwohl die Gitarre selbst und die Tonabnehmer ebenfalls einen großen Einfluss auf den Pegel haben und daher unterschiedliche Amp-Einstellungen für vergleichbare Ergebnisse erfordern, lautet die Devise hier, dass man mit Einstellungen zwischen „aus“ und „2 Uhr“ in der Regel „clean“ Sounds erzielt. Je weiter man den Regler aufdreht, desto stärker wird der Sound angezerrt. Obwohl dieser Kanal niemals brachiale Verzerrung erzeugt (das besorgt schließlich Kanal 2), kann man auch hier schon herrlich „crunchen“.

4. EQ- und TONE-Regler

Die Regler TREBLE, MIDDLE und BASS dieses Kanals sind interaktiv und passiv ausgelegt, wie es bei VOX-Verstärkern seit eh und je der Fall ist. Diesen EQ-Typ nennt man bisweilen den „Tone Stack“ (Interaktion der Klangregler), was einem bei der Betrachtung des Schaltdiagramms sofort einleuchtet. In der Regel hat jede Einstellungsänderung eines Reglers Konsequenzen für die übrigen beiden. Wir empfehlen, die Regler anfangs immer in die Mitte zu stellen und sich von da aus auf die Suche nach „dem“ Sound zu begeben. Je mehr Sie experimentieren, desto besser treffen Sie nach und nach den gewünschten Sound. Ein paar Anhaltspunkte wären jedoch: Wenn man den MIDDLE-Regler nach links dreht, wird der Sound „hohler“, was vor allem bei einer hohen Pegelanhebung (Verzerrung) auffällt. Das eignet sich perfekt für Songs der „Heavy“-Fraktion. Wenn Sie die MIDDLE-Einstellung erhöhen, wird der Sound voller, weicher und „singer“. Mit BASS und TREBLE kann er dann noch abgeschmeckt werden.

Der TONE CUT-Regler ist ein echter VOX-Klassiker, den man schon auf dem allerersten VOX-Amp findet (der vor 50 Jahren vorgestellt wurde). Wie der Name bereits besagt, verringert man hiermit den Höhenanteil, was einen runderen Sound erzeugt. Beachten Sie, dass sich der Höhenanteil bei ERHÖHEN dieser Einstellung VERRINGERT.

5. REVERB

Hiermit bestimmen Sie, wie stark Kanal 1 mit Federhall angereichert wird. Wenn Sie möchten, können Sie den Hall auch per Fuß ein- und ausschalten.

6. VOLUME

Dieser Regler befindet sich am Ende der Vorverstärkerschaltung von Kanal 1, also vor der Effektschleife („Effects Loop“), dem Hall und dem Leistungsverstärker. Hiermit bestimmen Sie folglich, wie laut das von Kanal 1 erzeugte Signal wird. Je kleiner der Wert, desto leiser ist das Ergebnis. Mit höheren Einstellungen sorgen Sie dafür, dass Leben in die Bude kommt! Der schlussendliche Signalpegel richtet sich nach der GAIN- und VOLUME-Einstellung (und natürlich dem MASTER VOLUME-Wert, siehe weiter unten). Mit der richtigen Mischung zwischen diesen beiden erzielen Sie bei jedem Pegel exakt den gewünschten Klang.

CHANNEL 2-Sektion

7. GAIN-Regler

Hiermit bestimmen Sie, wie stark der Signalpegel von der Vorverstärkerschaltung für Kanal 2 angehoben wird. Kanal 2 ist von Beruf böse, fett und gewaltig – aber verleugnet keineswegs sein VOX-Erbe! Der Grund-Sound dieses Kanals setzt dort an, wo Kanal 1 aufhört. Mit Hilfe der Klangregelung können Sie hier jede nur erdenkliche Geschmacksrichtung – von Blues, über rockig, bis hin zu „richtig fies“ – bedienen.

8. BRIGHT-Schalter

Hiermit wird ein zusätzlicher Kondensator (Schalter unten) in den Schaltkreis des GAIN-Reglers eingefügt, der eine Anhebung der hohen Mitten und Höhen bewirkt. Die genaue Wirkung richtet sich entscheidend nach der GAIN-Einstellung: Je kleiner jener Wert, desto stärker beeinflusst der Schalter den Sound; bei hohen GAIN-Werten nimmt der Einfluss immer weiter ab. Diesen Schalter sollte man für eine Extraportion Biss und Klarheit – besonders bei Humbucker-Tonabnehmern – verwenden.

9. FAT-Schalter

Mit diesem Schalter kann der Pegel noch weiter angehoben werden. Dabei werden die Mitten der Gitarre und des Verstärkers betont, was sich für „singende“ Soloparts eignet.

10. EQ- und TONE-Regler

Die Regler TREBLE, MIDDLE und BASS dieses Kanals sind interaktiv und passiv ausgelegt. Allerdings haben sie andere Merkmale als die VOX TB-Schaltung von Kanal 1. Der EQ bearbeitet andere Frequenzen, mit denen sich die Pegelanhebung von Kanal 2 noch steigern lässt. In der Regel hat jede Einstellungsänderung eines Reglers Konsequenzen für die übrigen beiden. Wir empfehlen, die Regler anfangs immer in die Mitte zu stellen und sich von da aus auf die Suche nach „dem“ Sound zu begeben. Je mehr Sie experimentieren, desto besser treffen Sie nach und nach den gewünschten Sound. Ein paar Anhaltspunkte wären jedoch: Wenn man den MIDDLE-Regler nach links dreht, wird der Sound „hohler“, was vor allem bei hoher Pegelanhebung (Verzerrung) auffällt. Das eignet sich für Songs der „Heavy“-Fraktion. Wenn Sie die MIDDLE-Einstellung erhöhen, wird der Sound voller, weicher und „singender“. Mit BASS und TREBLE kann er dann noch abgeschmeckt werden.

Der PRESENCE-Regler findet sich auf fast allen Rock-Verstärkern. Normalerweise ist er in der Rückkopplungsschaltung angesiedelt, um den 2~3kHz-Bereich dezent, aber bestimmt hervorzuhoben. Damit macht man den Sound lebendiger und bissiger. Die Schaltung war ursprünglich übrigens als Kompensation für den Einsatz in Hallen mit wenig Reflexionen gedacht. Bei VOX hatte man sich aber schon schnell eine andere Anwendung ausgeguckt: Unsere Presence-Schaltung stellt eine Kombination der traditionellen Rückkopplungsschaltung in der Endstufe mit einer passiven Schaltung für den Vorverstärker von Kanal 2 dar. Hier werden die bewussten Frequenzen nicht nur hervorgehoben, sondern können (wenn man den Regler nach links dreht) auch abgesenkt werden, um eine wärmere (weniger „fuzzy“) Verzerrung zu erzielen.

11. REVERB

Hiermit bestimmen Sie, wie stark Kanal 2 mit Federhall angereichert wird. Wenn Sie möchten, können Sie den Hall auch per Fuß ein- und ausschalten.

12. VOLUME

Dieser Regler befindet sich am Ende der Vorverstärkerschaltung von Kanal 2, also vor der Effektschleife („Effects Loop“), dem Hall und dem Leistungsverstärker. Hiermit bestimmen Sie folglich, wie laut das von Kanal 2 erzeugte Signal wird. Je kleiner der Wert, desto leiser ist das Ergebnis. Mit höheren Einstellungen sorgen Sie hingegen dafür, dass Leben in die Bude kommt! Der schlussendliche Signalpegel richtet sich nach der GAIN- und VOLUME-Einstellung (und natürlich dem MASTER VOLUME-Wert, siehe weiter unten). Mit der richtigen Mischung zwischen diesen beiden erzielen Sie bei jedem Pegel exakt den gewünschten Klang.

MASTER-Sektion

13. OUTPUT MASTER VOLUME

Diesen Regler nennt der Fachmann „Post Phase Inverter Master Volume“ (PPIMV). Er befindet sich nämlich zwischen dem Ausgang der Phasenumkehrstufe und dem Eingang der Leistungsröhren in der Endstufe. Die Phasenumkehrstufe hat ein gewichtiges Wörtchen beim Sound eines Röhrenverstärkers mitzureden. Diese Anordnung des MASTER VOLUME-Reglers macht deshalb Sinn, weil er die Charakteristik der Endstufe nur geringfügig beeinflusst. Hier bleibt der Röhren-Sound nämlich selbst bei einem niedrigen Pegel erhalten. Schließlich beeinflusst der Regler „lediglich“ die Ausgangsleistung der Endstufe, so dass der Sound bei niedrigem Pegel jenem eines Röhrenverstärkers mit geringerer Ausgangsleistung entspricht. Ein weiterer Vorteil dieses Konzepts ist, dass man die DI-Schaltung zwischen der Phasenumkehrstufe und dem OUTPUT MASTER VOLUME-Regler platzieren kann. Somit weist auch das DI-Signal die Soundmerkmale der Endstufe auf und wird zudem nicht von der PegelEinstellung beeinflusst.

14. STANDBY-Schalter

Zweck dieses Schalter ist, dass man den Verstärker damit vorübergehend ausschalten kann, ohne beim erneuten Einschalten das Vorglühen der Röhren abwarten zu müssen. Zweitens werden die Ausgangsröhren weitaus weniger belastet, wenn man dem Amp erstmal Zeit zum Warmlaufen gönnt.

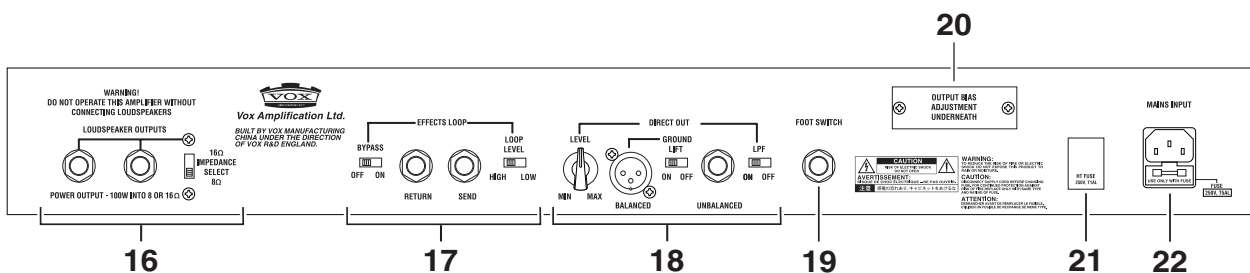
Anfangs funktionierte die Standby-Schaltung genau anders herum als man angesichts der Bezeichnungen „On“ und „Off“ glaubt. So bedeutet „Standby= OFF“, dass sich der Amp momentan im Bereitschaftsbetrieb befindet (als nicht aktiv ist), während „Standby= ON“ darauf hinweist, dass der Amp aktiv ist. Wenn die grüne Diode über dem STANDBY-Schalter leuchtet, ist der Verstärker jedenfalls AN.

15. POWER-Schalter

Hiermit schaltet man die Stromversorgung des Verstärkers ein und aus. Wenn der Amp eingeschaltet ist, leuchtet die rote Diode über diesem Schalter.

Die richtige Vorgehensweise zum Einschalten des AC50/100CP (und so gut wie aller Röhrenverstärker) lautet folgendermaßen: A) Schauen Sie nach, ob der Verstärker an einen bei Ihnen vorhandenen Stromkreis angeschlossen werden darf (d.h. ein 230V-Modell darf nur mit einem 230V-Steckdose, ein 120V-Exemplar nur mit einer 120V-Steckdose usw.) verbunden werden. Bei Fragen wenden Sie sich bitte an Ihren VOX-Händler). B) Überprüfen Sie, ob alle Kabel (Lautsprecher, Fußtaster, Effektschleife usw.) ordnungsgemäß angeschlossen sind. C) Schalten Sie den MAINS- und STANDBY-Schalter AUS und verbinden Sie das Netzkabel mit dem Verstärker. D) Aktivieren Sie den POWER-Schalter und schauen Sie nach, ob die ROTE Diode leuchtet. E) Warten Sie mindestens 2 Minuten (bis sich die Röhren erwärmt haben) und F) schieben Sie den STANDBY-Schalter in die „ON“-Position. Jetzt ist der Verstärker einsatzfähig. Dieses „Chambrieren“ des Verstärkers ist deshalb so wichtig, weil es die Lebensdauer der Röhren maximiert.

BEDIENELEMENTE AUF DER RÜCKSEITE



WARNUNG! Hinweis! Die abgebildete Rückseite zeigt die Anordnung der Regler bei den Topteilen – beim CP2 Combo sind die Bedienelemente in umgekehrter Reihenfolge angeordnet.

16. LOUDSPEAKER OUTPUT – Anschlüsse

An diese parallel verdrahteten Buchsen kann man 1 oder 2 Boxen anschließen. (Wir empfehlen für die Toppteile AC50/AC100CPH, V412BN 4x12"-Boxen von VOX.) Dank des Impedanzwahlschalters lässt sich wahlweise eine 16Ω- oder eine 8Ω-Box an den Verstärker anschließen. Der Impedanzabgleich zwischen der/den Box/en und dem Verstärker ist von großer Wichtigkeit, weil sonst die Ausgangsröhre und der Wandler beschädigt werden können! Bei Verwendung von 1 x 16Ω-Box muss der Wahlschalter auf „16Ω“ gestellt werden. Bei Verwendung von 2 x 16Ω-Boxen muss der Wahlschalter auf „8Ω“ gestellt werden. Bei Verwendung von 1 x 8Ω-Box muss der Wahlschalter auf „8Ω“ gestellt werden. Andere Kombinationen DÜRFEN NICHT verwendet werden.

Beim AC50CP2 Combo wird ein Ausgang für die Verbindung mit den internen Lautsprechern genutzt, während der zweite Ausgang zum Anschluss einer Zusatzbox genutzt werden kann. (Wir empfehlen die V212BN Box von VOX, die sowohl von der Optik als auch von den verwendeten Lautsprechern, optimal auf den AC50CP2 abgestimmt ist.) Bitte denken Sie daran, dass durch die Verschaltung der internen Lautsprecher eine Gesamtimpedanz von 16Ω vorliegt. Falls die Zusatzbox V212BN zusammen mit den internen Lautsprechern genutzt wird, stellen Sie bitte den Impedanzwahlschalter auf 8Ω .

Eine andere Kombination -als die Oben aufgeführten/beschriebenen- KANN NICHT genutzt werden.

17. EFFECTS LOOP

Die in Serie geschaltete Effektschleife befindet sich zwischen den Ausgängen des Vorverstärkers und dem Eingang des Halleffekts. Von dort aus wird das Signal an die Endstufe weitergeleitet. Mit dem BYPASS-Schalter kann man die Schleife entweder aktivieren („ON“) oder aus dem Signalweg holen („OFF“). Solange Sie keine externen Effekte verwenden, muss sich der Schalter in der „OFF“-Position befinden.

Selbst wenn Sie den LOOP-Schalter auf „OFF“ stellen, sendet die SEND-Buchse noch Signale, die man z.B. zu einem Tuner oder einem zweiten Verstärker übertragen kann.

Mit dem LOOP LEVEL-Schalter stellt man den Betriebspegel des Signals ein: +4dBV (hoch) oder -10dBV (niedrig). Somit gibt es kaum Einschränkungen für die Wahl der externen Effektgeräte. Generell macht das Einschleifen von Effektpedalen (vor allem von Fuzz- und Verzerrerpedalen) in den Signalweg aber keinen Sinn, weil sie die Leistung des Verstärkers reduzieren.

18. DIRECT OUT

Der AC50/100CP bietet eine überraschend umfassende DI-Sektion. Unter Punkt 13 (Output Master Volume-Regler) wird der Zusammenhang zwischen der DI-Schaltung und dem Verstärker erklärt.

Das DI-Signal wird entweder über die symmetrischen XLR- oder die unsymmetrischen Klinkenbuchsen nach außen geführt. Sein Pegel kann mit dem LEVEL-Drehregler eingestellt werden. Mit dem GROUND LIFT-Schalter sorgen Sie für eine Verbindung mit der Masse des AC50/100CP bzw. einer Phantomschaltung. Damit können Brummschleifen vermeiden werden. Wählen Sie immer die Einstellung, bei der kein Brummen auftritt.

Mit dem LPF-Schalter (Tiefpassfilter) können die hohen Frequenzen aus dem DI-Signal gefiltert werden. Dieses Filter brauchen Sie in der Regel nicht, wenn Sie die Direktausgänge mit einem externen (Gitarren)Verstärker verbinden. Aktivieren Sie es hingegen bei einer Direktverbindung mit der Beschallungsanlage oder dem Studiomischpult, um einen boxenähnlichen Sound (mit weniger extremen Höhen) zu erzielen.

Und wie gesagt: Man kann den MASTER VOLUME-Regler durchaus auf „0“ stellen, so dass sich die DI-Ausgabe auch besonders umweltverträglich verwenden lässt. Lösen Sie auch in diesem Fall jedoch NIE die Boxenverbindung. Nur so ist sichergestellt, dass Sie den Verstärker nicht beschädigen, wenn Sie den MASTER VOLUME-Regler aus Versehen aufdrehen.

19. FOOT SWITCH-Buchse

Hier kann der beiliegende VF002 Doppelfußtaster angeschlossen werden, mit dem sich die Kanäle wählen („A“) und der Halleffekt ein/ausschalten („B“) lassen.

Wenn Sie lieber ein anderes Schaltsystem verwenden (z.B. eine MIDI-Bodenleiste), beachten Sie bitte folgende Hinweise:

Beide Schalter sind mit der Masse kurzgeschlossen.

– Kanalumschaltung: Spitze (Kanal 1= geschlossen; Kanal 2= offen)

Halleffekt: Ring (Hall aus= geschlossen; Hall an= offen). Eine offene Schaltung sendet $\pm 7,5\text{Vdc}$ @ 10mA.

20. BLENDE DER BIAS-REGLER FÜR DIE AUSGANGSRÖHRE

Hinter dieser Blende befinden sich 2 Regler sowie Messpunkte zum Einstellen des Bias-Abgleichs. Diese Einstellarbeiten dürfen aber nur von Fachleuten vorgenommen werden!

21. HT FUSE

Die HT-Sicherung schützt die Sekundärschaltung, welche die Röhren (allen voran die Ausgangsröhren) speist. Sie brennt durch, wenn eine Ausgangsröhre den Geist aufgibt oder wenn ein anderer Fehler in der Sekundärschaltung auftritt.

WARNUNG! Eine durchgebrannte Sicherung darf AUSSCHLIESSLICH durch eine Sicherung mit denselben Werten ersetzt werden. Verwenden Sie niemals andere Sicherungstypen, weil das zu schweren Schäden führt.

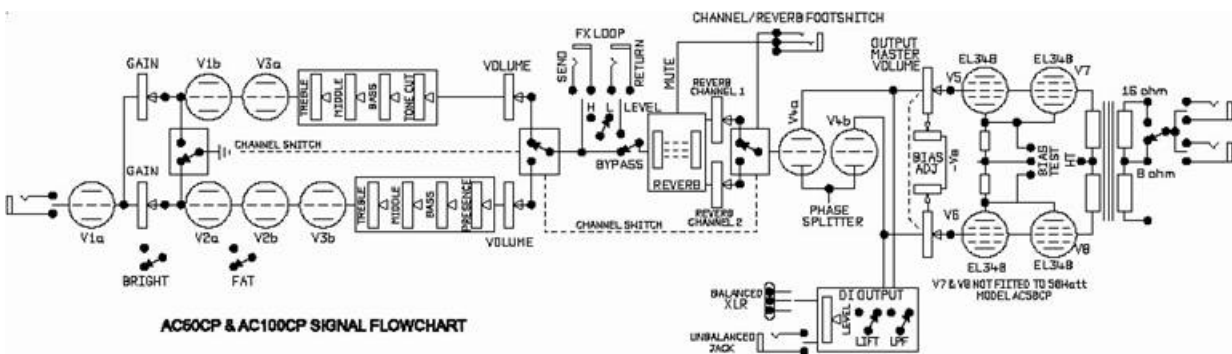
22. MAINS INPUT & SICHERUNG

An diese Buchse muss das beiliegende Stromkabel angeschlossen werden. Wenn das beiliegende Kabel unauffindbar ist, müssen Sie ein anderes Kabel mit den gleichen Werten verwenden (lassen Sie sich von Ihrem Händler beraten). Überzeugen Sie sich vor Einschalten des Verstärkers davon, dass die Netzspannung der verwendeten Steckdose den Angaben auf dem rückseitigen Typenschild entspricht.

Die Sicherung am Stromeingang schützt Sie, Ihren Verstärker und den Stromkreis, mit dem der Verstärker verbunden ist. In der Regel brennt diese Sicherung niemals ohne Grund durch (wenn sie nach dem Auswechseln sofort wieder durchbrennt, handelt es sich sogar um einen äußerst triftigen Grund).

WARNUNG! Eine durchgebrannte Sicherung darf AUSSCHLIESSLICH durch eine Sicherung mit denselben Werten ersetzt werden. Verwenden Sie niemals andere Sicherungstypen, weil das zu schweren Schäden führt.

Bitte beachten! Dieser Verstärker darf nur mit der auf dem Typenschild erwähnten Netzspannung und Frequenz betrieben werden. Wenn Sie das Produkt in einem anderen Land verwenden möchten, müssen Sie es eventuell modifizieren lassen. Bitte wenden Sie sich im Zweifelsfall an Ihren VOX-Händler oder den Vertrieb.



TECHNISCHE DATEN

AC50CPH

50W-Röhrenverstärkertop für Gitarre mit Kanalumschaltung und Hallfeder.

Ausgangsleistung: 50W RMS bei 8- oder 16Ω-Lautsprecherlast (einstellbar).
Röhrenbestückung: 4 x 12AX7/ECC83 (Achtung, Röhre 1 ist schwach mikrofonisch) und 2 x EL34B.

Ländervarianten und Hauptsicherung:
100JP= 100V 50/60Hz ~ T3,15AL 250V-Sicherung
120US= 120V 50/60Hz ~ T3,15AL 250V-Sicherung
120EX= 120V 50/60Hz ~ T3,15AL 250V-Sicherung
230GE= 230V 50/60Hz ~ T1,6AL 250V-Sicherung
230UK= 230V 50/60Hz ~ T1,6AL 250V-Sicherung
240AU= 240V 50/60Hz ~ T1,6AL 250V-Sicherung

Abmessungen (B x T x H): 702 x 265 x 285 mm
Gewicht: 22.6 kg
Lieferumfang: Netzkabel, Fußschalter VF002

AC100CPH

100W-Röhrenverstärkertop für Gitarre mit Kanalumschaltung und Hallfeder.

Ausgangsleistung: 100W RMS bei 8- oder 16Ω-Lautsprecherlast (einstellbar).
Röhrenbestückung: 4 x 12AX7/ECC83 (Achtung, Röhre 1 ist schwach mikrofonisch) und V1 x 4.

Ländervarianten und Hauptsicherung:
100JP= 100V 50/60Hz ~ T5AL 250V-Sicherung
120US= 120V 50/60Hz ~ T5AL 250V-Sicherung
120EX= 120V 50/60Hz ~ T5AL 250V-Sicherung
230GE= 230V 50/60Hz ~ T2,5AL 250V-Sicherung
230UK= 230V 50/60Hz ~ T2,5AL 250V-Sicherung
240AU= 240V 50/60Hz ~ T2,5AL 250V-Sicherung

Abmessungen (B x T x H): 702 x 265 x 285 mm
Gewicht: 25.9 kg
Lieferumfang: Netzkabel, Fußschalter VF002

AC50CP2

50W-Röhrenverstärkertop für Gitarre mit Kanalumschaltung und Hallfeder.

Ausgangsleistung: 50W RMS bei 8- oder 16Ω-Lautsprecherlast (einstellbar).
Verwendete Lautsprecher: 2x VOX/Wharfedale GSH1230 8Ω Lautsprecher in Serie geschaltet mit einer Gesamtimpedanz von 16Ω.
Röhrenbestückung: 4 x 12AX7/ECC83 (Achtung, Röhre 1 ist schwach mikrofonisch) und 2 x EL34B.

Ländervarianten und Hauptsicherung:
100JP= 100V 50/60Hz ~ T3,15AL 250V-Sicherung
120US= 120V 50/60Hz ~ T3,15AL 250V-Sicherung
120EX= 120V 50/60Hz ~ T3,15AL 250V-Sicherung
230GE= 230V 50/60Hz ~ T1,6AL 250V-Sicherung
230UK= 230V 50/60Hz ~ T1,6AL 250V-Sicherung
240AU= 240V 50/60Hz ~ T1,6AL 250V-Sicherung

Abmessungen (B x T x H): 702 x 265 x 540 mm
Gewicht: 35.8 kg
Lieferumfang: Netzkabel, Fußschalter VF002

Änderungen des Designs und der technischen Daten ohne Vorankündigung bleiben vorbehalten.

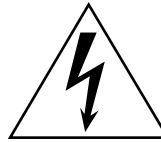
URL = <http://www.voxamps.co.uk>

INSTRUCCIONES DE SEGURIDAD IMPORTANTES

- Lea todas las instrucciones antes de utilizar el producto.
- Guarde estas instrucciones.
- Cumpla estas instrucciones.
- Siga todas las intrucciones.
- No utilizar este aparato cerca del agua.
- Los aparatos enchufados a la corriente eléctrica no deben ser expuestos a goteos o salpicaduras, así como no colocar recipientes que contengan líquido encima de los mismos.
- Limpiar exclusivamente con un trapo suave.
- No bloquee las aberturas de ventilación. Instale según las instrucciones del fabricante.
- El producto debe ser situado lejos de fuentes de calor, como radiadores, calefactores u otros aparatos que produzcan calor.
- No elimine la toma de tierra del conector de corriente. Es un cable color amarillo con franjas verdes.
- Proteja el cable de alimentación de pinzamientos, así como el conector de corriente.
- Use solamente los accesorios y soportes especificados por el fabricante.
- Desenchufe este aparato durante tormentas eléctricas o si no lo va a utilizar durante un largo periodo.
- Desconectar el interruptor de corriente no aísla completamente el aparato de la línea de corriente, se debe desenchufar el conector de corriente si no se va a usar por largos periodos de tiempo.
- Instale este aparato cerca de una toma de corriente y deje el enchufe fácilmente accesible.
- ATENCIÓN - Este aparato debe ser conectado a un enchufe con toma de tierra.
- Dele el mantenimiento del aparato en manos de personal autorizado. Se requiere de revisión cuando el aparato ha sido dañado de algún modo, como daños en el cable de alimentación, ha caído líquido dentro o el aparato ha sido expuesto a la lluvia, no opera correctamente o se ha sufrido algún impacto.
- No instale este equipo en una posición alejada de la toma de alimentación.
- No instale este equipo en un lugar confinado, tal como una caja o similar.
- Use este equipo solamente con el carro, soporte, trípode o mesa especificado por el fabricante. Si usa un carro tenga cuidado al moverlo para evitar daños a personas si se cae del carro.



WARNING:
TO REDUCE THE RISK OF FIRE OR ELECTRIC SHOCK DO NOT EXPOSE THIS PRODUCT TO RAIN OR MOISTURE.



El símbolo del rayo significa que existen voltajes peligrosos sin aislar en el interior de la unidad, que pueden ser de magnitud suficiente para constituir un riesgo de electrocución.



El signo de admiración indica al usuario que existen instrucciones de funcionamiento y mantenimiento importantes en el manual que acompaña al producto.

Símbolo CE para Normas Unificadas Europeas

La marca CE que exhiben nuestros productos que funcionan a Corriente Alterna, hasta el 31 de Diciembre de 1996 significa que cumplen la Directiva EMC (89/336/EEC) y la Directiva sobre la marca CE (93/68/EEC).

Y, la marca CE que exhiben después del 1 de Enero de 1997, significa que cumplen la Directiva EMC (89/336/EEC), la Directiva sobre la marca CE (93/68/EEC) y la Directiva de Bajo Voltaje (73/23/EEC).

Asimismo, la marca CE que exhiben nuestros productos que funcionan con baterías, significa que cumplen la Directiva EMC (89/336/EEC) y la Directiva sobre la marca CE (93/68/EEC).

* Los nombres de empresas, nombres de productos y nombres de formatos, etc., son marcas registradas de sus respectivos propietarios.

- A Use SIEMPRE el cable de red suministrado, si es necesario reemplazarlo, por favor póngase en contacto con su distribuidor Vox autorizado.
- B NO encienda el amplificador sin un altavoz conectado.
- C ASEGÚRESE que si usa recintos acústicos de extensión éstos sean de la impedancia adecuada.
- D NO INTENTE NUNCA puentear los fusibles o usar fusibles que no sean iguales a los suministrados.
- E DO INTENTE abrir el chasis del amplificador, no existen partes que requieran la intervención del usuario.
- F Cualquier mantenimiento o reparación debe ser llevado a cabo por personal cualificado, incluyendo el reemplazo de fusibles y válvulas. Es necesario llevar el aparato al servicio post venta cuando se ha dañado de cualquier forma, por ejemplo si el cable o enchufe de alimentación se han dañado, han caído líquidos u objetos al aparato, el aparato ha sido expuesto a la lluvia o humedad, el aparato no funciona normalmente o se ha caído.

PRECAUCIÓN: Cualquier cambio o modificación no aprobado expresamente por la parte encargada del mantenimiento puede anular la autoridad del usuario para operar el equipo.

Nota: se recomienda que todos los cables de audio, con la excepción del cable de altavoz, usados para conectar el AC15 Custom Classic sean de gran calidad y apantallados. No deben exceder los 10 metros de longitud. Use siempre un cable de altavoz no apantallado aprobado por Vox con el amplificador AC15 y recintos acústicos de extensión.

AVISO: ¡No obstruya las rejillas de ventilación y asegúrese siempre que existe libre movimiento de aire alrededor del amplificador!

AC50/AC100 Classic Plus

Manual de Usuario

INTRODUCCIÓN

Gracias por comprar el amplificador VOX CLASSIC PLUS. Como probablemente ya sabes (ya que de lo contrario probablemente no lo habrías comprado) estos amplificadores están disponibles en versiones de cabezal de 50 vatios, cabezal de 100 vatios y combo de 50 vatios. Este manual explica el funcionamiento y otros detalles de estos tres modelos.

Aunque la gama Classic Plus es totalmente nueva en diseño y funciones, puedes estar seguro que cada amplificador disfruta de la experiencia de 50 años de historia musical VOX.

Classic Plus es un previo y amplificador de potencia de guitarra a válvulas que puede producir desde sonidos de prístina claridad hasta sonidos de alta saturación y todos los puntos intermedios. Los dos canales tienen varios controles para ayudarle a crear las texturas sonoras que necesite, y como los controles de ambos canales son totalmente independientes, tendrá total libertad para crear su paleta tonal.

Además de los controles mencionados, el amplificador dispone de una Reverberación Spring Reverb con control individual para cada Canal con conmutación por pedal, más bucle de Efectos con nivel y bypass. La completa sección de salida dispone de tomas XLR balanceadas y jack no balanceados con control de nivel y conmutación de toma de tierra. Para permitir una fenomenal conexión con sistemas de amplificación o Grabación, el circuito DI dispone de un filtro pasa bajos (LPF) de emulación de altavoz. Éste se puede Activar / desactivar tal como resulte necesario. Otra gran ventaja del circuito DI es que está situado después de la válvula de inversión de fase del amplificador y antes del control de salida principal. Incluso puede poner el volumen principal al mínimo y usar la salida DI para una Grabación 'silenciosa' de sus sesiones nocturnas.

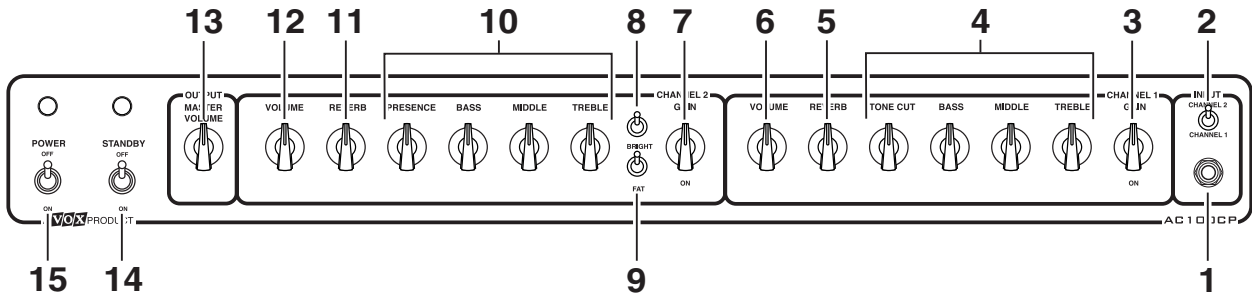
Aún si es usted un usuario con experiencia en amplificador le sugerimos que lea este manual antes de encenderlo. Puede que haya algo en estas páginas que no sepa. Y de todas formas esperamos entreteñerle a la vez que va aprendiendo el uso de su nuevo CLASSIC PLUS.

Una vez que haya leído el manual, conéctelo, enciéndalo y toque hasta que no pueda más.

Gracias

Del equipo VOX

CONTROLES Y FUNCIONES DEL PANEL FRONTAL



¡AVISO! Los paneles mostrados son para las versiones de cabezal - los paneles CP2 combo varían en cuanto a la posición.

SECCIÓN DE ENTRADA (INPUT)

1. INPUT JACK

Esta toma se usa para conectar su guitarra al amplificador. Asegúrese de usar un cable de alta calidad para asegurar las mejores prestaciones. Aunque los cables buenos pueden parecer algo caros son una inversión que merece la pena. Le recomendamos que use cables Vox. Por favor, consulte con su distribuidor Vox.

2. Conmutador CHANNEL

Este conmutador CHANNEL 1 / CHANNEL 2 se usa para Seleccionar uno de los dos Canales. CHANNEL 1 se usa principalmente para sonidos claros CLEAN/CRUNCH & y CHANNEL 2 es para sonidos mucho más duros y saturados.

El conector posterior FOOTSWITCH permite el uso del conmutador VOX VF002 que permite la selección remota de canales.

¡RECUERDE! Para permitir el funcionamiento del conmutador de pedal este control del panel frontal debe estar en la posición CHANNEL 2.

El LED de canal se ilumina el verde para el Canal 1 y en rojo para el Canal 2.

Sección de Canal 1 (CHANNEL 1)

3. GAIN

Este control regula la cantidad de amplificación des señal generada por el previo del canal 1, y ajusta la calidad tonal básica del mismo. El diseño del circuito del Canal 1 está basado en el Canal Top Boost del legendario VOX AC30. Por tanto se trata del sonido Vox clásico. Pero si aplica algunos cambios sutiles a este Canal podrá obtener sonidos clásicos rock Crunch. Aunque distintos tipos de guitarras y pastillas ofrecen varios niveles de salida los sonidos claros se obtienen cuando este control está al mínimo y hasta la posición de las 2 en punto. Pasado este punto el previo comienza a crear distorsión, con la máxima en la posición de totalmente a la derecha. Aunque este Canal no tiene una ganancia extrema (para eso está el Canal 2) el nivel de distorsión le resultará más que satisfactorio.

4. EQ y TONE

Los controles TREBLE, MIDDLE, y BASS en este Canal son de formato interactivo pasivo que es clásico en los amplificadores VOX. En este tipo de Ecuador la posición de cada control tendrá influencia en el efecto de los otros dos. Nuestro consejo es situar los tres controles en la posición central y partir de ahí. La experimentación es la clave para encontrar su sonido. Como norma general si baja los medios hará que el sonido sea más 'hondo' o profundo, especialmente con sonidos distorsionados de alta ganancia, un sonido típico de las modernas canciones de rock. Si sube los medios el sonido será más lleno, suave y más 'cantante'. Ajuste los controles de graves y agudos Bass & Treble como desee.

El control TONE CUT es un clásico VOX que se incorporó al primer amplificador VOX hace 50 años, cuando era el único control de tono del amplificador. Funciona cortando el contenido de agudos y, por tanto, suaviza y da calidez a los agudos. Cuando use este control recuerde que cuando lo suba lo que en realidad está haciendo es bajar los agudos.

5. REVERB

Este control regula la cantidad de Reverberación de resorte requerida solamente para el Canal 1. Recuerde que la Reverberación También se Activa / desactiva mediante el conmutador de pedal.

6. VOLUME

Este control se sitúa al final del circuito de previo del Canal 1, antes del ir al bucle de Efectos, Reverberación y sección de amplificador de potencia. Y como tal controla el nivel de la señal producida por el Canal 1. Un Ajuste bajo implica que el amplificador tendrá un sonido suave, mientras que posiciones altas harán que se desaten sonidos muy impactantes. Como el sonido total se controla mediante los controles Gain y Volume (y Output Master, como veremos después) será necesario establecer un balance con estos dos controles.

Sección de Canal 2 (CHANNEL 2)

7. GAIN

Este control regula la cantidad de amplificación de señal generada por el previo del canal 2. El Canal 2 tiene un diseño de sonido muy poderoso, pero con la distintiva marca del sonido VOX. El sonido básico de este Canal empieza donde acaba el Canal 1; y usando los controles de este Canal podrá obtener desde sonidos blues a rock clásico hasta los sonidos modernos más distorsionados.

8. BRIGHT

Este conmutador activa un capacitor extra (cuando está hacia abajo) en el control de ganancia para aumentar los medios-agudos y los agudos. Su Efecto depende de la posición del control de ganancia: en posiciones bajas este conmutador será más activo y en posiciones altas será menos activo. Un buen uso de este conmutador dará un sonido más claro y mordiente especialmente a las pastillas humbucking con poca definición.

9. FAT

Este conmutador ofrece una ganancia extra, y también enfoca los medios lo cual produce un sonido que 'canta' al tocar un solo.

10. EQ y TONE

Los controles TREBLE, MIDDLE, y BASS en este Canal son de formato interactivo pasivo pero tienen distintas características que el clásico circuito VOX TB del Canal 1. El Ecuilizador tiene distintas frecuencias centrales para aumentar las elevadas capacidades de ganancia del Canal 2. En este tipo de Ecuilizador la posición de cada control tendrá influencia en el efecto de los otros dos. Nuestro consejo es situar los tres controles en la posición central y partir de ahí. La experimentación es la clave para encontrar su sonido. Como norma general si baja los medios hará que el sonido sea más 'hondo' o profundo, especialmente con sonidos distorsionados de alta ganancia, un sonido típico de las modernas canciones de rock. Si sube los medios el sonido será más lleno, suave y más 'cantante'. Ajuste los controles de graves y agudos Bass & Treble como desee.

El control PRESENCE se encuentra normalmente en amplificadores para rock. Normalmente funciona en el circuito de regeneración del amplificador de potencia aumentando la presencia en el rango de 2 a 3kHz. Esto da como resultado que el sonido resulte más vivo y con ataque, y originalmente se usaba para compensar salas con sonido oscuro y sin definición. Pero por supuesto en VOX nos gusta hacer las cosas un poco distintas que las demás compañías de amplificadores: nuestro circuito de presencia combina el clásico diseño activo de regeneración del amplificador de potencia con un circuito pasivo incorporado en el circuito de previo del Canal 2 que no sólo produce un aumento de presencia sino que situando el control en posiciones bajas introduce un filtro de corte de agudos que se puede usar para eliminar el fuzz de la distorsión del previo, haciéndolo menos agresivo y más suave.

11. REVERB

Este control regula la cantidad de Reverberación de resorte requerida solamente para el Canal 2. Recuerde que la Reverberación También se Activa / desactiva mediante el conmutador de pedal.

12. VOLUME

Este control se sitúa al final del circuito de previo del Canal 1, antes del ir al bucle de Efectos, Reverberación y sección de amplificador de potencia. Y como tal controla el nivel de la señal producida por el Canal 1. Un Ajuste bajo implica que el amplificador tendrá un sonido suave, mientras que posiciones altas harán que se desaten sonidos muy impactantes. Como el sonido total se controla mediante los controles Gain y Volume (y Output Master, como veremos después) será necesario establecer un balance con estos dos controles.

Sección MASTER

13. OUTPUT MASTER VOLUME

Este control es un control de volumen principal posterior al inversor de fase (PPIMV), y recibe este nombre porque opera en el amplificador de potencia entre la salida de la válvula de inversión de fase y la entrada de las válvulas de potencia. Una gran cantidad del sonido de un amplificador de lámparas está generado por la válvula de inversión de fase y por tanto usando este tipo de diseño se mantienen las características de potencia. Es decir, preserva el sonido verdadero de las válvulas incluso a niveles de potencia bajos. En términos sencillos este control regula la potencia real de salida producida por el amplificador de potencia, de forma que a bajos niveles resulta de gran importancia. Otro beneficio de este tipo de circuito, como hemos comentado, es que el circuito DI está conectado entre la válvula de inversión de fase y este volumen de salida principal. Esto no sólo da al DI el tono del amplificador de potencia, sino que el DI y el control de potencia de salida son totalmente independientes.

14. STANDBY

El conmutador standby se usa para a) apagar y encender el amplificador durante un periodo breve, como un descanso en el que no desee iniciar el procedimiento de precalentamiento, y b) se usa para aligerar el trabajo de las válvulas de salida del amplificador cuando lo encienda en frío, es decir para calentar el amplificador.

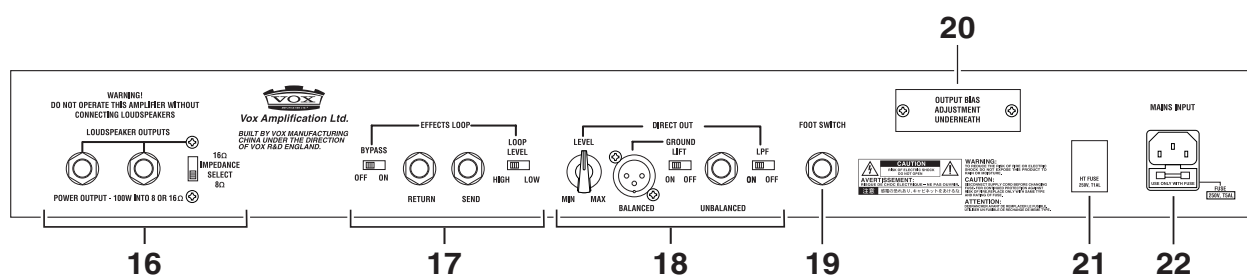
Standby OFF significa que el amplificador tiene este control activado y por tanto NO está operativo, mientras que Standby ON significa que el amplificador ESTÁ operativo. El LED verde encima del conmutador Standby se ilumina cuando el amplificador está operativo.

15. POWER

Este conmutador enciende o apaga la alimentación principal del amplificador. Cuando el amplificador está activo se ilumina el LED rojo situando encima del conmutador.

El procedimiento correcto para encender su amplificador AC50/100CP (y cualquier otro amplificador de guitarra a válvulas) es A) Comprobar que el voltaje de funcionamiento del amplificador coincide con la red eléctrica a la que se va a conectar (es decir, un amplificador para 230V será conectado a una red de 230V, 120V a 120V etc., si tiene alguna duda por favor consulte a su distribuidor VOX), B) asegúrese de que todos los cables (altavoz, conmutador de pedal, FX loop, etc.) ya están conectados, C) asegúrese de que los conmutadores MAINS y STANDBY están en la posición OFF y conecte el cable de alimentación eléctrica al amplificador, D) ponga en ON el conmutador POWER y asegúrese que el LED rojo está iluminado, E) espere al menos 2 minutos para que se calienten las válvulas, y F) ponga en ON el conmutador STANDBY. Su amplificador ya está listo para ser usado. Permitiendo que el amplificador se caliente de esta forma se asegura que las válvulas no sufren demasiado estrés lo que ayudará que gocen de la máxima duración.

CONTROLES Y FUNCIONES DEL PANEL POSTERIOR



¡AVISO!

Los paneles mostrados son para las versiones de cabezal - los paneles CP2 combo varían en cuanto a la posición.

16. LOUDSPEAKER OUTPUTS

Dos tomas conectadas en paralelo para su conexión con el sistema de altavoces o cajas acústicas.

* Es de extrema importancia para un uso prolongado y seguro del amplificador que las impedancias del amplificador y del altavoz coincidan; ¡de lo contrario se pueden producir daños a las válvulas de salida y transformadoras si no se cumple esta condición!

Con el AC50/100CPH, por favor use cajas acústicas de 1 ó 2 altavoces de su elección (Le recomendamos que use cajas VOX V412BN 4x12"). El conmutador de selección de impedancia permite la conexión de sistemas de altavoces de 16 ohmios o de 8 ohmios.

Para cajas acústicas de 1 x 16 ohmios ajuste el selector a 16 ohm.

Para cajas acústicas de 2 x 16 ohmios ajuste el selector a 8 ohms.

Para cajas acústicas de 1 x 8 ohmios ajuste el selector a 8 ohms.

En el AC50CP2, una de las salidas de altavoz se usa para conectar los altavoces internos mientras que la otra salida se puede usar para conectar un sistema de extensión de altavoces. (Le recomendamos el modelo VOX V212BN 2 x 12" que resulta perfecto para este amplificador combo). Por favor recuerde que los altavoces internos están configurados para 16 ohmios. En caso de que utilice los altavoces internos y el modelo V212BN conjuntamente, por favor ajuste el selector de impedancia a 8 ohm.

Cualquier otra combinación distinta de las descritas aquí NO PUEDE ser utilizada.

17. EFFECTS LOOP

El bucle de Efectos en serie está situado entre la salida del previo y la entrada de la Reverberación. La señal se envía después a la etapa de potencia. El conmutador BYPASS activa el bucle cuando está en ON, o bien desconecta el circuito de bucle de Efectos del resto del amplificador cuando está en OFF. Si no está usando el bucle le recomendamos que lo Ajuste a OFF.

Con el conmutador LOOP en la posición OFF, el jack SEND todavía está activo y se puede usar para enviar la señal a un afinador o amplificador auxiliar.

El conmutador LOOP LEVEL permite usar el bucle a dos niveles de señal (aproximadamente +4dBV (high) y -10dBV (low)). Esto permite la conexión de una gran variedad de aparatos. No recomendamos que use pedales de Efectos, particularmente pedales Fuzz y Distortion ya que pueden limitar el espacio sonoro libre (headroom) del amplificador e impedir llegar a la potencia máxima.

18. DIRECT OUT

El amplificador AC50/100CP dispone de un completo circuito DI, tal como se ha explicado. Por favor consulte el punto 13 (Output Master Volume) que explica la relación entre el circuito DI y el amplificador.

La salida DI dispone de tomas Balanceada XLR o no balanceada Jack, y ambas están controladas por el botón LEVEL. El conmutador GROUND LIFT conecta el equipo externo a la tierra directa del AC50/100CP o a un circuito de simulación de tierra para evitar que se produzcan problemas de acoplamiento de tierra; por favor pruebe ambas posiciones para conseguir las mejores prestaciones.

El conmutador LPF (Low Pass Filter) cambia la respuesta del DI a respuesta normal de frecuencia para su uso con amplificadores auxiliares y sistemas de altavoces de guitarra o, cuando está en ON introduce un filtro que atenúa los agudos de la misma forma que responden los altavoces de guitarra. Esto permite conectar el amplificador directamente a un sistema de amplificación de concierto o a equipo de Grabación asegurando que el sonido emulará perfectamente a los altavoces de guitarra.

Por favor recuerde que si pone Master Volume a 0 podrá realizar una Grabación 'silenciosa' de la salida DI. Es MUY IMPORTANTE que los altavoces permanezcan conectados para que si el control MASTER se sube de forma accidental no se produzcan daños al amplificador.

19. FOOTSWITCH JACK

Este jack es para conectar el conmutador doble VF002 suministrado para un control remoto de conmutación de Canal (conmutador A) y Reverberación (conmutador B).

Si necesita usar otro sistema de conmutación (por ejemplo MIDI): - Ambos conmutadores se activan a tierra - conmutación de Canal = jack punta - Canal 1 cerrado - Canal 2 abierto - Reverb = jack anillo - Reverberación desactivada es cerrado - Reverberación activada es abierto. Aproximadamente 7.5Vdc @ 10mA está presente con el conmutador abierto.

20. CUBIERTA DE COMPENSACIÓN DE VÁLVULA DE SALIDA

Esta tapa encierra 2 potenciómetros y puntos de medida para el Ajuste de la compensación de las válvulas de salida. ¡Sólo debe ser ajustado por personal cualificado!

21. HT FUSE

El fusible HT protege el circuito secundario de alto voltaje de los circuitos de válvulas, particularmente las de potencia. Este fusible se fundirá en caso de fallo de una válvula, pero también se puede fundir si hay un fallo en otro circuito secundario.

¡AVISO! SI EL FUSIBLE FALLA, SÓLO DEBE SER REEMPLAZADO CON UN FUSIBLE DE TIPO Y ESPECIFICACIONES CORRECTAS. No use otro tipo de fusible ya que podrían producirse daños importantes.

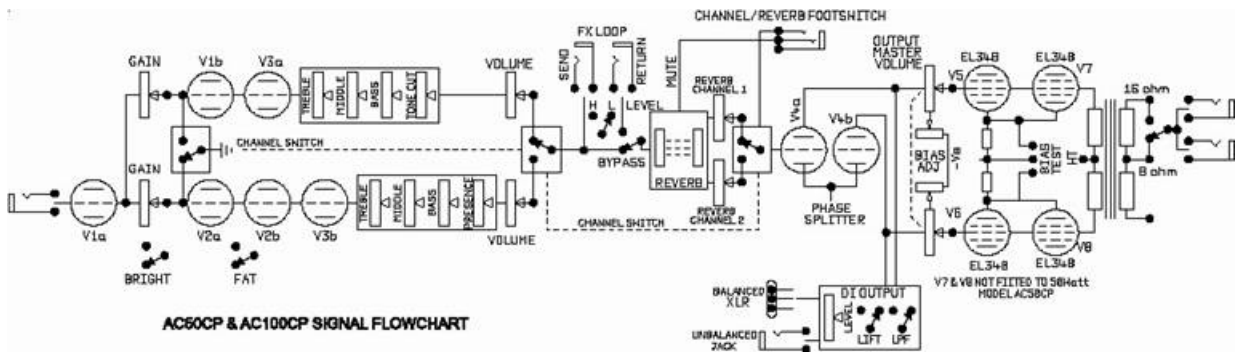
22. MAINS POWER INPUT & FUSE

Aquí debe conectar el cable de alimentación. Por favor use el cable de alimentación suministrado o uno que tenga las mismas especificaciones (si tiene dudas consulte a su distribuidor). Antes de conectar la alimentación compruebe que coincide con la de su amplificador que está impresa en el panel posterior del mismo.

El fusible que está junto a la toma de alimentación sirve para proteger a su amplificador. Si el fusible se funde es por alguna buena razón, especialmente si se funde de nuevo después de haberlo cambiado.

¡AVISO! SI EL FUSIBLE FALLA, SÓLO DEBE SER REEMPLAZADO CON UN FUSIBLE DE TIPO Y ESPECIFICACIONES CORRECTAS. No use otro tipo de fusible ya que podrían producirse daños importantes.

¡Por favor tenga en cuenta!: Su amplificador ha sido diseñado para funcionar correctamente con el voltaje A.C. y Frecuencia que está anotada en la placa del panel posterior. Si desea importar o exportar este producto a otro país es posible que no sea compatible y que necesite una modificación. Si tiene alguna duda consulte con su distribuidor VOX.



ESPECIFICACIONES

AC50CPH

Amplificador de guitarra de 50 vatios, con conmutador de Canal y Reverberación.

POTENCIA DE SALIDA: 50 vatios RMS con carga de altavoz Seleccionable de 8 o 16 ohmios.

Válvulas: 4 x 12AX7/ECC83 (nota: V1 es baja microfónica) y 2 x EL34B.

Variación según país y Fusible Mains:

100JP = 100V 50/60Hz ~ Fusible T3.15AL 250V

120US = 120V 50/60Hz ~ Fusible T3.15AL 250V

120EX = 120V 50/60Hz ~ Fusible T3.15AL 250V

230GE = 230V 50/60Hz ~ Fusible T1.6AL 250V

230UK = 230V 50/60Hz ~ Fusible T1.6AL 250V

240AU = 240V 50/60Hz ~ Fusible T1.6AL 250V

Dimensiones (L x P x H): 702 x 265 x 285 mm

Peso: 22.6 kg

Elementos incluidos: cable de alimentación, VF002 Footswitch

AC100CPH

100 Watt valve channel switching guitar amplifier head with spring reverb.

POTENCIA DE SALIDA: 100 Watts RMS into selectable 8 or 16 ohm loudspeaker load.

Válvulas: 4 x 12AX7/ECC83 (note! V1 is low microphonic) and 4 x EL34B.

Variación según país y Fusible Mains:

100JP = 100V 50/60Hz ~ Fuse T5AL 250V

120US = 120V 50/60Hz ~ Fuse T5AL 250V

120EX = 120V 50/60Hz ~ Fuse T5AL 250V

230GE = 230V 50/60Hz ~ Fuse T2.5AL 250V

230UK = 230V 50/60Hz ~ Fuse T2.5AL 250V

240AU = 240V 50/60Hz ~ Fuse T2.5AL 250V

Dimensiones (L x P x H): 702 x 265 x 285 mm

Peso: 25.9 kg

Elementos incluidos: cable de alimentación, VF002 Footswitch

AC50CP2

Amplificador de guitarra de 50 vatios, con conmutador de Canal y Reverberación.

POTENCIA DE SALIDA: 50 vatios RMS con carga de altavoz Seleccionable de 8 o 16 ohmios.

Altavoz Interno: Consta de 2 altavoces VOX/Wharfedale GSH1230 8 ohmios conectados en serie con una impedancia total de 16 Ohmios.

Válvulas: 4 x 12AX7/ECC83 (nota: V1 es baja microfónica) y 2 x EL34B.

Variación según país y Fusible Mains:

100JP = 100V 50/60Hz ~ Fusible T3.15AL 250V

120US = 120V 50/60Hz ~ Fusible T3.15AL 250V

120EX = 120V 50/60Hz ~ Fusible T3.15AL 250V

230GE = 230V 50/60Hz ~ Fusible T1.6AL 250V

230UK = 230V 50/60Hz ~ Fusible T1.6AL 250V

240AU = 240V 50/60Hz ~ Fusible T1.6AL 250V

Dimensiones (L x P x H): 702 x 265 x 540 mm

Peso: 35.8 kg

Elementos incluidos: cable de alimentación, VF002 Footswitch

Apariencia y especificaciones sujetas a cambio sin previo aviso.

URL = <http://www.voxamps.co.uk>

IMPORTANT NOTICE TO CONSUMERS

This product has been manufactured according to strict specifications and voltage requirements that are applicable in the country in which it is intended that this product should be used. If you have purchased this product via the internet, through mail order, and/or via a telephone sale, you must verify that this product is intended to be used in the country in which you reside.

WARNING: Use of this product in any country other than that for which it is intended could be dangerous and could invalidate the manufacturer's or distributor's warranty.

Please also retain your receipt as proof of purchase otherwise your product may be disqualified from the manufacturer's or distributor's warranty.

REMARQUE IMPORTANTE POUR LES CLIENTS

Ce produit a été fabriqué suivant des spécifications sévères et des besoins en tension applicables dans le pays où ce produit doit être utilisé. Si vous avez acheté ce produit via l'internet, par vente par correspondance ou/et vente par téléphone, vous devez vérifier que ce produit est bien utilisable dans le pays où vous résidez.

ATTENTION: L'utilisation de ce produit dans un pays autre que celui pour lequel il a été conçu peut être dangereuse et annulera la garantie du fabricant ou du distributeur. Conservez bien votre récépissé qui est la preuve de votre achat, faute de quoi votre produit ne risque de ne plus être couvert par la garantie du fabricant ou du distributeur.

WICHTIGER HINWEIS FÜR KUNDEN

Dieses Produkt wurde unter strenger Beachtung von Spezifikationen und Spannungsanforderungen hergestellt, die im Bestimmungsland gelten. Wenn Sie dieses Produkt über das Internet, per Postversand und/oder mit telefonischer Bestellung gekauft haben, müssen Sie bestätigen, dass dieses Produkt für Ihr Wohngebiet ausgelegt ist.

WARNUNG: Verwendung dieses Produkts in einem anderen Land als dem, für das es bestimmt ist, verwendet wird, kann gefährlich sein und die Garantie des Herstellers oder Importeurs hinfällig lassen werden. Bitte bewahren Sie diese Quittung als Kaufbeleg auf, da andernfalls das Produkt von der Garantie des Herstellers oder Importeurs ausgeschlossen werden kann.

NOTA IMPORTANTE PARA EL CONSUMIDOR

Este producto ha sido fabricado de acuerdo a estrictas especificaciones y requerimientos de voltaje aplicables en el país para el cual está destinado. Si ha comprado este producto por internet, a través de correo, y/o venta telefónica, debe usted verificar que el uso de este producto está destinado al país en el cual reside.

AVISO: El uso de este producto en un país distinto al cual está destinado podría resultar peligroso y podría invalidar la garantía del fabricante o distribuidor.

Por favor guarde su recibo como prueba de compra ya que de otro modo el producto puede verse privado de la garantía del fabricante o distribuidor.

